



**GAS KETTLES**

**INSTRUCTION FOR INSTALLATION AND USE  
DIE GEBRAUCHS UND INSTALLATIONSANWEISUNG  
NOTICE D'INSTALLATION ET D'EMPLOI  
NÁVOD K OBSLUZE A INSTALACI**



**BI(A) 100-98 G, BI(A) 150-98 G**

**CE**  
1015-22

[www.rmgastro.com](http://www.rmgastro.com)





## **CONTENT**

Declaration of a standards conformity	3
Instruction for use	9
Cleaning and maintenance	12



## **INHALT**

Die Normenübereinstimmungsdeklaration	13
Gebrauchsanweisung	19
Die Reinigung und Instandhaltung	22



## **CONTENU**

Déclaration de conformité	23
Mode d'emploi	29
Nettoyage et entretien	32



## **OBSAH**

Prohlášení o souladu s normami	38
Návod k použití	47
Čistění a údržba	49

## DECLARATION OF A STANDARDS CONFORMITY

The producer confirms that the devices agree with 2016/426/EU, 2014/30/EU, 2014/35/EU standards, rule nr. 22/1997 sb., nr. 258/2000 sb., nr. 258/200 sb., nr. 118/2016 sb., 117/2016 sb. and with relevant government orders. Installation must be done with respect to valid standards. Attention, the producer refuses any responsibility in case of direct or indirect damages which are caused due to wrong installation, incorrect intervention or modification, insufficient maintenance, incorrect use and also possibly caused by other reasons presented by items in sale conditions. This appliance is set only for skilled use and must be operated by qualified persons only. Parts set and secured by the producer or accredited person must not be rebuilt by user.

### TECHNICAL DATA

Label with technical data is placed on the back side of the device. Study the electrical diagram of connection and all following information before installation.

Product type	Duplicator	Boiler volume (l)	Output (kW)	Supply voltage (V/Hz)	Dimensions (cm)
BI(A)-100/98G	yes	100	22,5	230/50	80x90x90 v
BI(A)-150/98G	yes	150	22,5	230/50	80x90x90 v

	12,8 kWh/kg G30/31 PROPANE/ BUTANE 30mbar	12,8 kWh/kg G31 PROPANE 37mbar	12,8 kWh/kg G30/31 PROPANE/ BUTANE 50mbar	9,45 kWh/kg G20 NATURAL GAS 20mbar
Burner nozzle 1/100mm	135	135	135	250
Burner nozzle over- pressure - full output (mbar)	23	23	23	9
Burner nozzle over- pressure - economy (mbar)	10	10	10	3
Gas consumption	1,7 kg/h	1,7 kg/h	1,7 kg/h	2,4 m3/h

## **PACKING AND DEVICE CHECK**

The device leaves our stocks properly packed with appropriate symbols and labels. There are also appropriate instructions for use. In case the packing shows bad handling or damage, it must be reclaimed at transporter immediately by writing and signing of a damage protocol.

Important notice:

-This product is only intended for use inside.

Never use the appliance if it has a damaged supply cable or plug, if it is not working correctly, has fallen to the ground and been damaged or fallen into water. In such cases take the appliance to a professional service in order to verify that it is safe and works correctly.

- only for professional use
- this instructing guide must be read properly and carefully because it contains important information about safety elements, installation, use
- these recommendations refer to this product
- this product corresponds with valid standards
- this guide must be properly deposited for future use
- keep the children away from manipulation with the product
- when selling or moving the product to another place it is necessary to make yourself sure that the staff or the professional service has got acquainted with control and installation instructions from enclosed guide
- only authorised person can operate the product
- it can not be switched on without supervision
- we recommend to have the product checked by professional service min. once a year
- only original spare parts can be used for repairs
- the product can not be cleaned by the water jet or pressure shower
- by damage or break down disconnect all the feeders (water, gas, electricity) and call professional service
- producer refuses any responsibility in case of damages caused by wrong installation, by disobeying of above mentioned recommendations or by other use etc.

## **PLACEMENT**

The device must be installed in well ventilated room what is necessary for regulation of the function of the device (technician must go by valid standard (EN....)). If the device is situated close to the wall or if it is in contact with the furniture walls, these walls must resist the temperatures ranging to 90°C. Installation, setting, putting into operation must be done by qualified person who is competent for this and according to the valid standards.

Wrap up the device and check whether it was not damaged during transport. Settle the device on horizontal surface (max imbalance 2°). Settle the device under the fume hood to eliminate water steam and bad smell. The device can be installed separately or in a set with devices of our production. Min. distance 10 cm from other subjects must be kept. It is also necessary to prevent our product from contact with combustible materials. In this case you must make corresponding changes to secure heat isolation of combustible parts. Safety measures from the standpoint of the fire protection according to EN 061008čl. 21:

# TECHNICAL INSTRUCTIONS FOR INSTALATION AND REGULATION

## Important:

The manufacturer does not provide warranty for defects caused by improper use, failure to instructions contained in the attached instructions for use and mistreatment of the appliances.

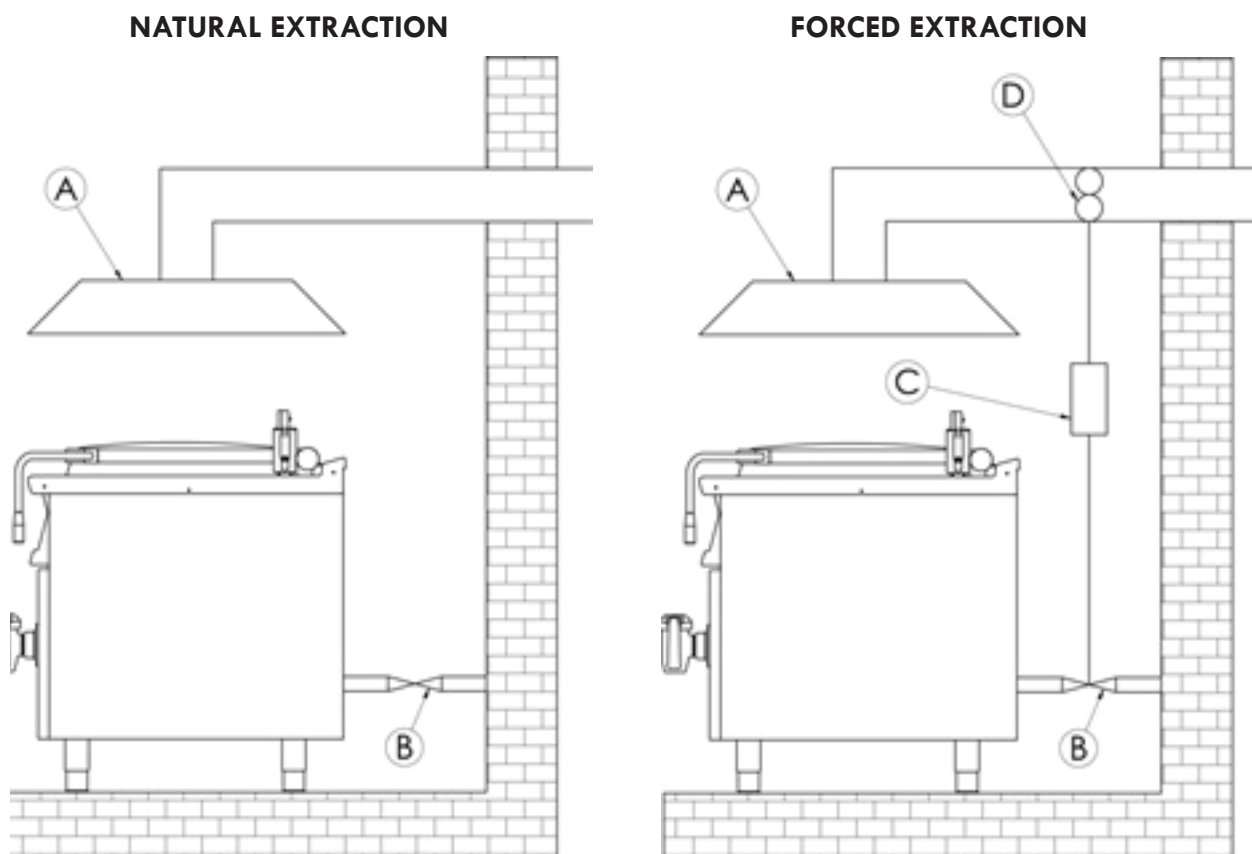
Installation, adjustment and repair of appliances for kitchens, as well as their removal because of possible damage to the gas can be carried out only under a maintenance contract, this contract may be signed with an authorized dealer, and must be complied with regulations and technical standards and regulations regarding the installation, power supply, gas connection and health & safety system.

These instructions are intended for the qualified technician who must perform the installation, put it into operation and test the appliance.

Any activity as settings, placement, rebalancing etc, must be made only when is device disconnected from electricity. If it is necessary to have the device connected to the electricity you must keep the highest attention to avoid any injuries.

## DEVICE INSTALATION

### CHIMNEY DESIGN FOR AN APPLIANCE –TYPE A



Outlet hood with natural extraction (A). Flue gas provides a natural chimney draft.

Outlet hood without natural extraction. Flue gas is secured by a fan (D) (forced extraction). In this case, it is necessary to secure the connection with a gas feeder (B) to turn off the gas supply in case of failure.

# SAFETY MEASURES FROM THE STANDPOINT OF THE FIRE PROTECTION ACCORDING TO EN 061008 ČL. 21

- only adults can operate the device
- device must be safely used in common surroundings according to EN 332000-4-462; EN 332000-4-42. You must switch the gas device off under the circumstances leading: to the danger of the temporary rise of the combustion gas or steam or during works when there is a big possibility of rise of the temporary fire danger or explosion (for example: to stick linoleum, PVC etc.).
- before you start to instal the device you must get the licence for connection to the gas feeder from the gasworks
- device must be placed so as to stand or hang on the noncombustible surface which is on each side 10 cm larger than the device. No subjects from combustible materials can be placed directly on the device or in distance which is shorter than safety distance (the shortest distance is 50 cm in the direction of the heat emission and 10 cm in other directions).- safety distances from various materials of different degree of combustion and information about the degree of comb. of common building materials - see chart:

## Chart:

Combustion degree of building materials classified according to the combustion degree of materials and products (EN 730823)

A noncombustible	granit, sandstone, concretes,bricks, ceramic wallfacing tiles, plaster
B uneasily combustible	akumine, heraklite, lihnos, itavere
C1 hardly combustible	leafy wood, plywood, sirkoklit, rare paper formica
C2 middle combustible	fibreboards, solodure, cork boards, rubber,floor-coverings
C3 easily combustible	wood-fibreboards, polystyrene,polyurethane, PVC

Devices must be instalated in a safe way. When instaling you must respect corresponding project, safety and

## PIPE FOR GAS CONNECTION

It must first determine if the appliance is made for the same type of gas that will be used and thus conforms to the indications on the label the type of gas to be used.

The conversion of gas pan to another type of gas you need to check if it corresponds to the type of gas bearing, which is recommended in this guide.

Connecting the appliance to the gas distribution must be towable to a steel or copper tube complying with applicable national requirements. This must be controlled on regular basis and changed if needed. Every appliance must be equipped with shut-off valve and quick shut-off valve. Quick shut-off valve must be freely accessible and within reach of the device. After installation, is necessary to check whether there is a gas leak. To find a gas leak you can use soapy water or spray for gas leak detection.

Do not use corrosive substances!! All our appliances are carefully controlled. Gas type, pressure and of the categories listed named on the technical information plate.

### Liquid gas connection:

Pressure for liquid gas connection must be 28 or 30 mbar for propane/butane and 37 mbar for propane. It is necessary to check the technical label ,gauge the pressure and check the parameters of the nozzle is installed with the required parameters of the nozzle according to the manufacturer's. If the pressure is lower than 25mbar or higher than 37 mbar, THE APPLIANCE SHALL NOT TO BE CONNECTED.

### Gas Connection:

Pressure for methane connection must be 18 or 20 mbar. It is necessary to check the technical label ,gauge the pressure and check the parameters of the nozzle is installed with the required parameters of the nozzle according to the manufacturer's. If the gas pressure is lower than 15mbar or higher than 22,5 mbar, THE APPLIANCE SHALL NOT TO BE CONNECTED.


## CONNECTION OF THE ELECTRIC CABLE TO THE ELECTRICITY

Installation of electric feeder - This feeder must be separately protected by a safety fuse according to the specific electric stream which depends on the wattage of the installed device. Check the wattage on the label at the back of the device. Connect the device directly to the electricity but you must put the switch between the device and electric net. The switch must be placed in min. distance 3 mm between the particular contacts according to the standards and loading. The feeder of grounding (yellow-green) cannot be interrupted by this switch. In every case feeding cable must be placed so that no point of the cable will reach the temperature which is 50°C higher than the temperature of the surrounding. Before connecting the device check that:

- safety fuse of the feeder and inner mains can stand the loading of the device (see label of the matrix)
- mains are equipped with effective grounding according to standards (ČSN) and conditions given by law
- socket or switch of the feed is well accessible from device

We refuse any responsibility in case of not respecting above mentioned rules. Before the first use it is necessary to remove all the protection foil and to clean the device - see chapter „cleaning and maintenance“.

Maintenance: We recommend to have the device checked once a year by the professional service. Only qualified or competent persons can do interventions in the product.

-  -Do not insert the power cable plug into the el. socket and do not pull it out of the el. socket with wet hands or by pulling on the cable!
- Do not use extension cables or power strips.

## WATER CONNECTION

The hot and cold water supply is connected using supply hoses with G1/2 thread. Make the connection after removing the front panel. The water supply must be fitted with independent closures, which are easily accessible and in reach of the device. The device also includes back-pressure valves. Water for filling the duplicator are must be softened – max 5° on the German water hardness scale.

The supplied water pressure must range from of 50 - 300 kPa.

The connection must comply with EN 1717 and with valid national water management regulations.

## CHECKING HEAT OUTPUT

The appliances must be checked to verify their heat output:

The heat output is identified on the label or you can find it in these instructions.

First of all you must verify that the appliance is manufactured for the same type of gas that will be used and consequently that the identification on the label complies with the type of gas that will be used.

For modification of the boiler for use of another type of gas you must check that the type of identified gas complies with the gas recommended in this handbook.

Pressure is measured using a pressure gauge of the required sensitivity. The pressure gauge is connected to the appropriate site, the screw with the airtight closure must be removed and the pressure gauge connected. After the measurements have been taken the screw must be replaced and checked for leakage.

## PRECAUTIONS FOR MODIFICATION AND CONNECTION TO ANOTHER TYPE OF GAS

Our appliances are certified and regulated for natural gas (see type label). Modification or adaptation to another type of gas must be executed by an authorised technician. The jets for various types of gas are in the bag packed with the boiler and are identified in hundredths of mm (table of technical burner data).

### Replacing the burner nozzles

You must proceed in the following manner. Remove the front panel and remove the nozzle holder. Replace the burner nozzles on this according to the table of burner technical data. Replace the burner nozzle holder and adjust the gas valve overpressure on the nozzle to the required value for the given gas. This is done by removing the screw on the overpressure inspection site on the burner nozzle (pic. 4 pos. 1) and connecting a manometer to it. Then turn the device on to maximum and use a 10 mm spanner to tighten the nut to increase the overpressure and loosen it to reduce overpressure. After it has been adjusted to the prescribed value switch the device to economy mode. Use the spanner to hold the nut against turning and use a cross screwdriver to adjust the overpressure on the burner nozzle to the given value. Then replace the screw and check for leakage.

### Important:

After the appliance has been adapted to another type of gas, this modification must be marked on the appliance label.



# INSTRUCTIONS FOR USE

Before you start the boiler check that the duplicator is filled with water. The water level must reach the height of the inspection tap (pic. 2 pos. 6). If no water comes out of this tap when it is opened, the duplicator must be filled. Fill it with water by pressing the duplicator water supply button (pic. 1), which you should hold down until water starts coming out of the opened tap. Close the tap when water stops coming out of it.

## Controls

Set the energy regulator (pic. 1, pos. B) to "MAX" and then turn the switch (pic. 1 pos. A) 90° to the right or left. This sets the device to maximum output. Turn the switch another 90° to set the device to medium output. Output can be reduced further using the energy regulator, as the switch is turned to a lower value = lower output. The energy regulator can also be used in the event that the switch is set to maximum output.

## Igniting the burners

After setting the switch to maximum output or economy mode, the burners will ignite automatically. This is signalled by the green pilot light coming on (pic. 1 pos. D). If the burners do not ignite the red reset button will light up (pic. 1 pos. C). After it is pressed the ignition process will start again. If the orange pilot light is on (pic. 1 pos. E) this signals that the burners are on full. IN the event that it is not on this means that the burners are in economy mode. This could be caused by the switch being set to economy position, setting the energy regulator to any other position than „MAX“ or by the pressure switch in the event that there is sufficient pressure in the duplicator.

## Switching the boiler off

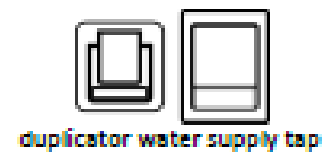
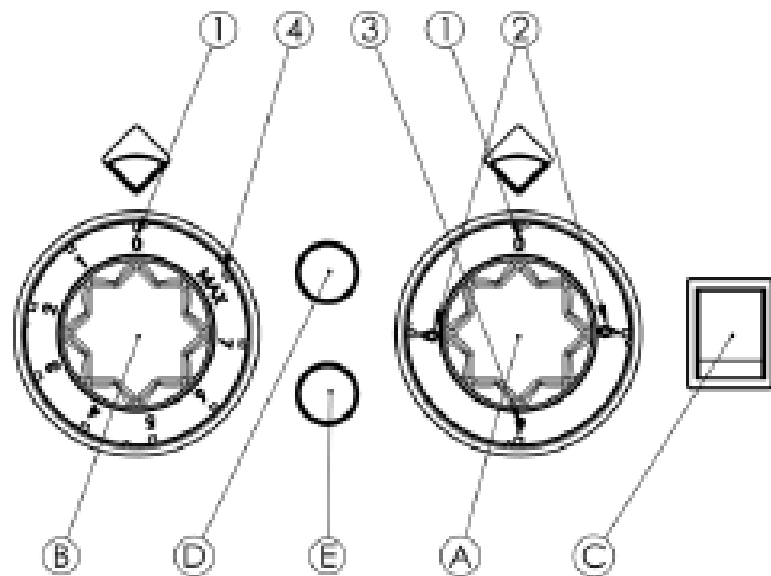
The boiler is switched off by turning the switch to position "0".

## Control elements (pic. 1)

Use the water supply tap (pic. 2 pos. 10) on the upper plate of the boiler to fill the cooking area with water. Open the lid, turn the arm above the boiler area and turn the water on. After the boiler is full, turn the water off and turn the arm so that it is in parking position and close the boiler lid.

If the duplicator boils dry during operation immediately switch the boiler off. The duplicator can only be refilled after the boiler cools down. The duplicator could be damaged if this instruction is not followed!

The maximum water level is 40 mm below the upper edger of the tank. Remember that the water level will rise when the food to be cooked is inserted!



- |                        |                  |
|------------------------|------------------|
| A – switch             | 1 – off position |
| B – energy regulator   | 2 – full output  |
| C – reset button       | 3 – economy mode |
| D – green pilot light  | 4 – full output  |
| E – orange pilot light |                  |

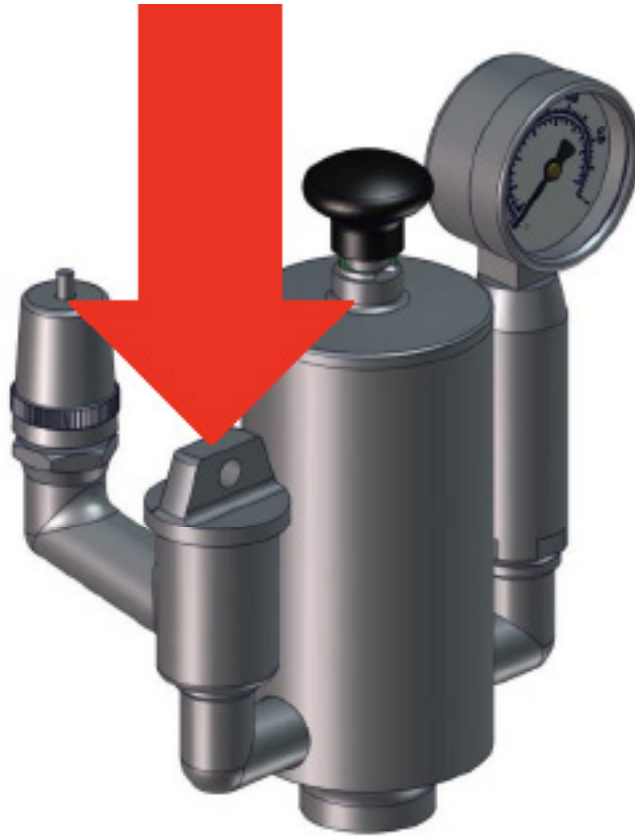
## BEDIENUNG DES AUTOKLAVS:

Das Autoklav-System funktioniert nach dem gleichen Prinzip wie ein Schnellkochtopf. Für seine sichere Funktion sollte man sich vergewissern, dass alle 4 Klappen bis zur höchstzulässigen Grenze festgezogen sind.

### ACHTUNG!!!!

Vor dem Öffnen des durch das Autoklav-System gesicherten Deckels ist stets der Druck in Form des Dampfes über das in der Mitte des Deckels befindliche Sicherheitsventil abzulassen. Die Nichteinhaltung dieses Verfahrens kann einen Unfall zur Folge haben, wobei der Hersteller für keinerlei Sach- und Gesundheitsschäden haftet.

fig. A



Before you start the boiler check that the duplicator is filled with water. The water level must reach the height of the inspection tap. If no water comes out of this tap when it is opened, the duplicator must be filled. Refill in the water, using the filling valve (Fig. A). Keep refilling until the water starts flowing out of the open tap. As soon as the water stops flowing, close the valve when water coming out of it.

**WARNING!**

***Never refill water in the duplicator while the boiler is in operation, or if the water in the duplicator is hot.***

***!!! DANGER OF INJURY OR DAMAGE OF THE DUPLICATOR !!!***

## **CLEANING AND MAINTENANCE**

### **MAINTENANCE**

We recommend that the device be inspected at least twice a year by an expert servicing facility. Only a qualified individual, who is licensed to do so, may perform work on the device.

**Warning!** Before you begin to use the device you must remove the protective sheeting from the whole stainless steel surface, wash it well using water with washing up liquid and then wipe it with a rag soaked in clean water.

Never use the device if the duplicator is empty of water! This may cause damage to the device! Regularly check the water level in the duplicator and refill it.

If used for an extended period the appliance must undergo regular maintenance for safe use, we recommend you sign a servicing contract for this purpose.

Maintenance must only be performed by authorised servicing technicians, who follow the valid standards and regulations and advice contained in these instructions. The optimum frequency of preventive inspections is once every six months, if the device is used extensively an inspection once every three months is recommended. Preventive inspections help prevent more extensive malfunctions thereby economising operation of the device.

### **CLEANING AND MAINTENANCE:**

Everyday cleaning of the device guarantees its perfect function and extended service life. Clean stainless steel parts using a moist rag with washing up liquid. Do not use cleaning products containing chloride or abrasives. After cleaning, wipe with a moist rag without washing up liquid.

### **Advice for cleaning individual components:**

Thoroughly wash the boiler tank and wipe dry. Use washing up liquids intended for professional kitchens, intended for cleaning stainless steel items, to clean the device. In exceptional cases stains may appear in the internal duplicator container during operation of the boiler, these do not influence the functionality or health & safety, they are not a defect and cannot be the subject of a customer claim. Open the drainage valve and flush with clean water. Never drain the contents of the boiler without using a drain strainer. This could result in the valve becoming clogged and destroyed.

Every day after use the areas of friction on the drainage valve must be lubricated using food grade vaseline. The vaseline also ensures that the conical cock does not leak.

Procedure in case of defects:

Close the water supply and disconnect the electricity supply, immediately call the servicing organisation. If the device remains unused for an extended period close the water supply and disconnect the electricity supply.

## DIE NORMENÜBEREINSTIMMUNGSDEKLARATION

Der Produzent erklärt, daß die Geräte in einer Übereinstimmung mit den Vorschriften der 2009/142/ES, 2014/30/ES, 2014/35/ES dem Gesetz Nr. 22/1997 sb., nr. 258/2000 sb., nr. 38/2001 sb., nr. 616/2006 sb., 17/2003 sb. der Sammlung und zugehörigen Regierungsverordnungen stehen. Die Installation muss mit der Absicht auf geltende Normen durchgeführt werden. Vorsicht, im Falle einer direkten oder indirekten Beschädigung, die sich auf falsche Installation, unrichtigen Eingriff oder Anpassungen, ungenügende Instandhaltung, unrichtige Verwendung beziehen, und welche eventuell durch andere Ursachen, als in Punkten der Verkaufsbedingungen angeführt ist, so verzichtet der Importeur auf jegliche Verantwortung. Dieses Gerät ist nur für fachliche Verwendung bestimmt und muß durch qualifizierte Person bedient werden. Teile, die nach der Einstellung durch den Hersteller oder durch befugte Person gesichert wurden, dürfen vom Benutzer keineswegs umgestellt werden.

### DIE TECHNISCHEN DATEN

Model	Kessel-Volumen (l)	Aufnahmeleistung (kW)	Anschluss-spannung (V/Hz)	Masse (cm)	Gewicht (kg)
BI(A)-100/98G	100	22,5	230/50	80x90x90 h	134

	G30/31 PROPANE/BUTANE 30mbar	G31 PROPANE 37mbar	G30/31 PROPANE/BUTANE 50mbar	G20 NATURAL GAS 20mbar
Brennerdüse Durchm. 1/100mm	135	135	135	250
Düsenüberdruck - Volleis- tung (mbar)	23	23	23	9
Düsenüberdruck – Spar- -Betrieb (mbar)	10	10	10	3
Gasverbrauch	1,7 kg/h	1,7 kg/h	1,7 kg/h	2,4 m3/h

## **DIE VERPACKUNGS-, UND VORRICHTUNGSKONTROLLE**

Die Vorrichtung verlässt unsere Lager in ordentlicher Verpackung, auf deren die entsprechenden Symbole und Bezeichnungen stehen. In der Verpackung befindet sich entsprechende Bedienungsanweisung. Falls die Verpackung eine schlechte Behandlung oder Anzeichen der Beschädigungen vorweist, muß dieses sofort beim Transporteur reklamiert werden und zwar durch Unterzeichnung eines Schadensprotokolles.

### **Wichtige Hinweise**

-Das Erzeugnis ist nur zur Verwendung im Innenraum bestimmt.

Verwenden Sie den Verbraucher nie, wenn die Speisezuleitung oder der Stecker beschädigt sind, das Gerät nicht richtig arbeitet, ist auf den Boden gefallen und hat sich beschädigt oder ist ins Wasser gefallen. Bringen Sie in solchen Fällen den Verbraucher zu einem Fach-Kundendienst zur Überprüfung seiner Sicherheit und richtiger Funktion.

- Nur für professionellen Verbrauch geeignet
- Diese Bedienungsanleitung muss ordentlich und bedächtig gelesen werden, weil sie wichtige Informationen über Sicherheitsmerkmale, Installation und Anwendung beinhaltet
- Diese Empfehlungen beziehen auf diesen Produkt
- Der Produkt entspricht geltenden Normen
- Diese Anleitung muß ordentlich für die zukünftige Verwendung hinterlegt werden
- Hindern Sie den Kinder an Vorrichtungsm Manipulation
- Beim Verkauf oder Verlegung ist es notwendig sich zu überzeugen, daß die Bedienstperson oder Fachservis sich mit der Beherrschung und Installationsanweisung in beiliegender Anleitung, anvertraut gemacht haben.
- Das Produkt darf nur eingeschulte Bedienung bedienen
- Das Produkt darf nicht ohne Aufsicht ins Betrieb gesetzt sein
- Es ist empfohlen, minimal einmal pro Jahr eine Fachkontrolle durchführen zu lassen
- Bei eventueller Reparatur der Teilenumtauschungen müssen ausschließlich Originalteile angewendet werden

## **DIE PLATZIERUNG**

Es ist unbedingt notwendig, zu der Regulation der Gerätetätigkeit, daß das Milieu - der Küche -, wo das Gerät installiert wird, sehr gut belüftbar ist (im Hinblick darauf: sei der Techniker sich mit geltenden Normen (EN) richtet). Wenn die Einrichtung so plaziert wird, daß sie im Mobiliarwandkontakt stehen wird, so müssen diese einer Temperatur von 90°C widerstehen. Die Installation, Herrichtung, Inbetriebnahme müssen durch qualifizierte Person, die zu solchen Vorkehrungen eine Befugnis hat und dies laut geltenden Normen nach, durchgeführt werden.

Packen Sie das Gerät aus und kontrollieren Sie , ob sich das Gerät während des Transportes nicht beschädigt hat. Platzieren Sie das Gerät auf eine waagrechte Fläche (maximale Unebenheit bis 2°). Stellen Sie das Gerät unter den Haubenabzug, damit Sie die Wasserdämpfe und den Geruch eliminieren. Das Gerät kann selbständig oder in einer Reihe mit Geräten unserer Herrstellung installiert werden. Es ist notwendig die minimale Entfernung von 10 cm zu anderen Gegenständen einzuhalten, so dass die Wärmeisolierung der brennbaren Teilen gewährleistet wird.

Das Gerät kann selbständig oder in einer Reihe mit Geräten unserer Herrstellung installiert werden. Es ist notwendig die minimale Entfernung von 10 cm zu anderen Gegenständen einzuhalten, so dass die Wärmeisolierung der brennbaren Teilen gewährleistet wird.

# TECHNISCHE HINWEISE ZUR INSTALLATION UND REGELUNG

## Wichtig:

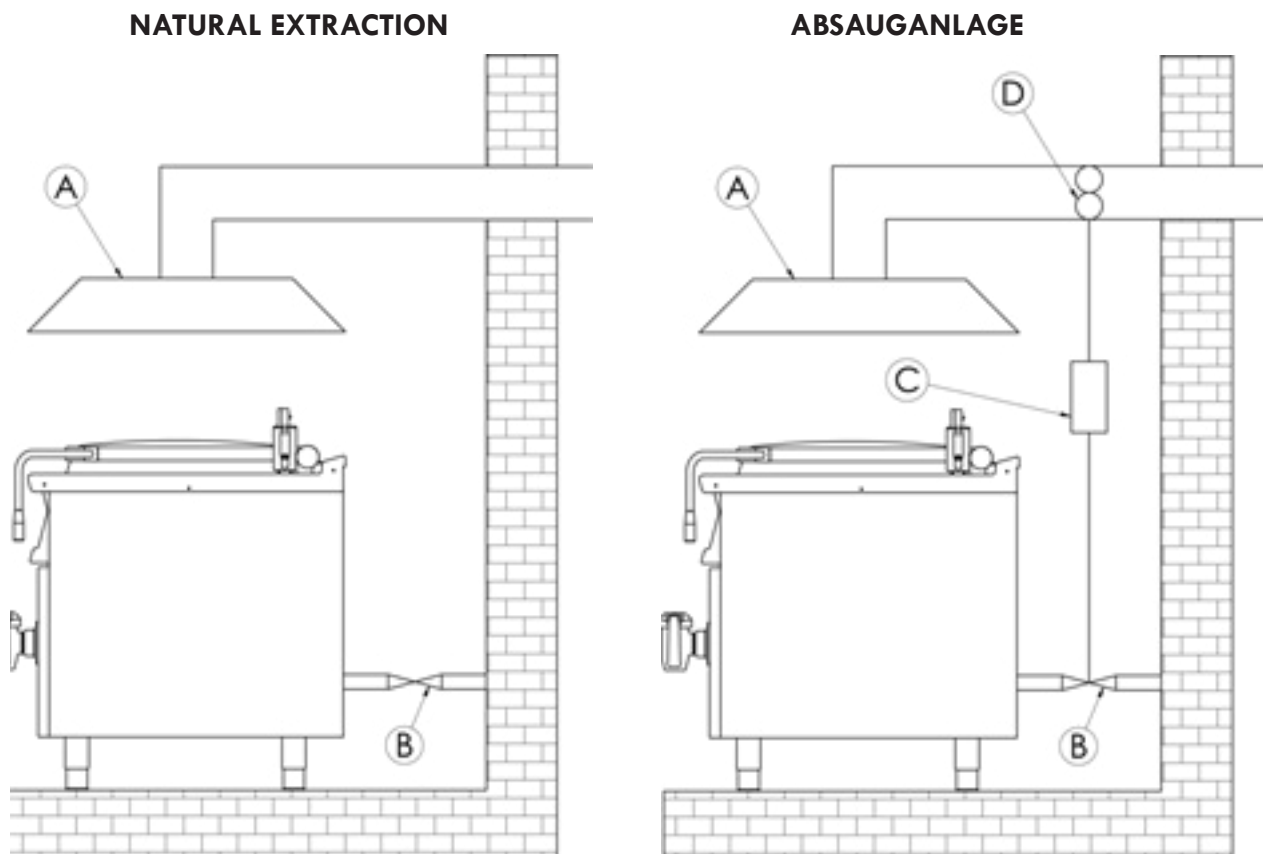
Zur Benützung AUSSCHLIEßLICH nur für spezialisierte Techniker  
Instruktionen, die folgen, wenden sich an den Techniker, der für die Installation qualifiziert ist, damit er alle Operationen mit der korrektesten Weise und laut der gültigen Normen durchführt.

## Wichtig

Jeweils irgendeine Tätigkeit, die mit der Regulation verbunden ist u.ä, muß nur mit der aus dem Netz ausgezogenen und abgeschalteten Einrichtung vollgezogen sein.

Solange das Gerät unter der Spannung notwendig zu halten ist, eine höchste Vorsicht zu beachten vorliegt.

## KAMIN-DESIGN FÜR EIN GERÄT VOM TYP A



Outlet Kapuze mit natürlichen Extraktion (A). Rauchgas sorgt für einen natürlichen Kaminzug.

Outlet Haube ohne natürliche Extraktion. Rauchgas wird durch einen Ventilator (D) (erzwungene Extraktion) gesichert. In diesem Fall ist es erforderlich, die Verbindung mit einer Gaszuführung (B), um die Gaszufuhr bei Ausfall zu sichern.

# DIE SICHERHEITSVORRICHTUNGEN AUS DER SICHT DES FEUERSCHUTZES LAUT EN. 061008 ČL. 21

Die Einrichtungsbedienung dürfen nur Erwachsene ausführen

- Das Gerät darf sicher in gewöhnlicher Umgebung laut EN 332000-4-482; EN 332000-4-42 verwendet werden.
- Es ist notwendig das Gerät so platzieren, daß es auf einer unbrennbaren Grundlage steht oder hängt.
- Es dürfen, auf und in eine Entfernung, die kleineremase als sicher vom Gerät bezeichnet wird, keine Gegenstände aus brennbaren Materilien (die kleinste Entfernung vom Brennbarem ist 10 cm) aufgestellt werden.
- Die sicheren Entfernungen von Massen der einzelnen Brenngra

## **Tabelle:**

Baumassefeuerbrenngrad ins Brenngrad (EN) der Massen und Produkte eingegliedert

A	Unbrennbar	Granit, Sandstein, beton, Ziegel, Keramikbekleidung, Putz
B	nicht einfach brennbar	Akumin, Heraklit, Lihnos, Itaver
C1	schwer brennbar	Holz, Laubbaum, Furnier Sirkoklit, Festpapier, Umakart
C2	mittel brennbar	Holzspanplatten, Solodur, Korkplatten, Hartgummi, Bodenbeläge
C3	leicht brennbar	Holzfaserplatten, Polystyren, Polyureten, PVC

Die Bedarfsartikel müssen sicher installiert werden und sind mit regulierenbaren Beinchen - zur Ausgleichen der Höhe und der Unebenheiten eingestattet.

Die Geräte müssen in einer sicheren Weise installiert werden. Bei der Installation müssen weiter betreffende Projekt-, Sicherheits-, und Hygienevorschriften respektiert werden.

- EN 06 1008 Feuerschutz der örtlichen Geräte und der Wärmquellen
- EN 33 2000 (33 2000-4-482; 33 2000-4-42) Umgebung für elektrische Geräte
- Gasversorgung -Gasleitungen in Gebäuden - Höchste Verkehrsdruck  $\leq 5$  BarVerkehrsansprüche,
- § 10 des Gesetzes Nr.185/2001 Sb., der Abfälle betrifft.

## **ROHR FÜR GASANSCHLÜSSEN**

Es muss zuerst feststellen, ob das Gerät für die gleiche Art von Gas, das verwendet werden soll, wird und entspricht damit den auf dem Etikett die Art des Gases verwendet werden.

Die Umwandlung von Gas Pfanne auf eine andere Gasart müssen Sie überprüfen, ob es auf die Art der Gas-Lager, die in diesem Handbuch empfohlen wird, entspricht.

Anschließen des Gerätes an die Gasversorgung muss Anhängelast auf einer Stahl-oder Kupferrohr Beachtung der geltenden nationalen Anforderungen. Dies muss regelmäßig kontrolliert werden und bei Bedarf geändert. Jedes Gerät muss mit Absperrventil und schnelle Absperrventil ausgestattet sein. Schnell-Absperrventil muss frei zugänglich sein und innerhalb der Reichweite des Gerätes. Nach der Installation ist zu prüfen, ob es ein Gas austritt. Um ein Gasleck Sie Seifenwasser oder Spray zur Lecksuche können zu finden.

Verwenden Sie keine ätzenden Stoffen! Alle unsere Geräte werden sorgfältig kontrolliert. Gasart, Druck und der Kategorien auf der technischen Informationen Platte benannt.

### **Flüssiggas-Anschluss:**

Der Druck für Flüssiggas-Verbindung muss 28 oder 30 mbar für Propan / Butan und 37 mbar für Propan sein. Es ist notwendig, um die technische Etikett überprüfen, messen den Druck und Kontrolle der Parameter der Düse wird mit den erforderlichen Parametern der Düse gemäß der Herstellerangaben installiert. Ist der Druck niedriger als 25mbar oder höher als 37 mbar, darf das Gerät nicht ANZUSCHLIESSEN.



## **Gas-Anschluss:**

Der Druck für die Methan-Anschluss muss 18 oder 20 mbar betragen. Es ist notwendig, um die technische Etikett überprüfen, messen den Druck und Kontrolle der Parameter der Düse wird mit den erforderlichen Parametern der Düse gemäß der Herstellerangaben installiert. Wenn der Gasdruck niedriger ist als 15 mbar oder höher als 22,5 mbar, darf das Gerät nicht ANZUSCHLIESSEN.

## **DER ELEKTRISCHE KABELNETZANSCHLUSS**

Die Installation der elektrischen Ankupplung - Diese Zuleitung muß selbstständig gesichert werden. Und das durch entsprechende Sicherung des Nennstromes in der Abhängigkeit am Anschlußwert des installierten Gerätes. Kontrollieren sie den Anschlußwert des Apparates auf dem Produktionsschild im Hinterteil des Gerätes. Schließen Sie das Gerät direkt ans Netz an.

Es ist unbedingt notwendig zwischen das Gerät und das Netz einen Schalter zu legen, der eine minimale Entfernung von 3mm unter den Einzelkontakten aufweist und der auch den geltenden Normen und Belastungen entspricht. Die Erdungszuleitung (gelbgrün) darf nicht durch diesen Schalter unterbrochen sein.

Der Zuleitungskabel muß in jedem Fall so angebracht sein, dass er in keinem Punkt einer um 50°C höherer Temperatur als Umgebungstemperatur nicht erreicht. Eher das Gerät ans Netz angeschlossen wird, versichern Sie sich, dass:

- die Zuleitungssicherung und die Innenscheidung die Einrichtungsbelastung ertragen (siehe Matriceschild),
- die Verteilung mit wirksamer Erdung laut Normen (EN) und Gesetzbedingungen ausgestattet ist

**WIR VERZICHTEN AUF JEDLICHE VERANTWORTUNG IM FALLE, DASS DIESE NORMEN NICHT RESPEKTIERT WERDEN UND IM FALLE DER NICHEINHALTUNG DER OBENERWÄHNTER GRUNDSÄTZE.**

Es ist notwendig die Schutzfolie vor der ersten Benützung zu beseitigen, sowie das Gerät zu reinigen siehe das Kapitel „Reinigung und Instandhaltung“.



-Führen Sie den Stecker der Speisezuleitung in die el. Steckdose und ziehen ihn aus der el. Steckdose mit nassen Händen und durch Ziehen der Speisezuleitung nicht!

-Verwenden Sie keine Verlängerungskabel oder Kombisteckdosen.

## **WARM - UND KALTWASSERANSCHLUSS**

Der Anschluss an das Warm- und Kaltwasser erfolgt über Zuführschläuche mit Gewinde G1/2. Der Anschluss wird nach dem Abnehmen der vorderen Platte vorgenommen. Die Wasserzufuhr muss mit unabhängigen Verschlüssen versetzt werden, die frei zugänglich sind und die sich in der Reichweite der Einrichtung befinden. Einen Bestandteil der Einrichtung bilden Rückschlagventile.

Das Wasser zur Füllung des Duplikatorsraumes muss enthärtet sein – max 5° der deutschen Skala für die Wasserhärte. Der zugeführte Wasserdruck muss im Bereich 50 – 300 kPa liegen. Der Anschluss muss in Übereinstimmung mit der EN 1717 und den gültigen nationalen Vorschriften für die Wasserwirtschaft ausgeführt werden.

## **WÄRMELEISTUNGSPRÜFUNG**

Die Verbrauchsgeräte müssen kontrolliert werden, um ihre Wärmeleistung zu überprüfen: Zuerst ist zu überprüfen, ob das Verbrauchsgerät für dieselbe Gassorte hergestellt wurde, die eingesetzt wird, also ob die Gassortebezeichnung auf dem Schild der eingesetzten Gassorte entspricht.

Zur Umstellung des Kessels auf eine andere Gassorte ist zu prüfen, ob die gekennzeichnete Gassorte der in diesem Handbuch empfohlenen Gassorte entspricht.

Der Druck wird mit einem Druckmesser mit erforderlicher Empfindlichkeit gemessen. Der Druckmesser wird an die entsprechende Stelle angeschlossen, es ist deshalb notwendig, die Schraube mit dem luftdichten Verschluss abzuschrauben und den Druckmesser anzuschließen. Nach der Beendigung der Messung ist die Schraube zurück zu schrauben und ihre Dichtheit zu überprüfen.

## **MASSNAHMEN ZUR UMSTELLUNG UND INSTALLATION AUF EINE ANDERE GASSORTE**

Unsere Verbrauchsgeräte sind für das Erdgas zertifiziert und reguliert (siehe Typschild). Eine Umstellung oder Umrüstung auf eine andere Gassorte muss nur von einem berechtigten Techniker ausgeführt werden. Düsen für unterschiedliche Gassorten befinden sich in einem zum Kessel beigepackten Beutel und sind in Hundertsteln von mm gekennzeichnet (Tabelle mit technischen Brennerdaten).

### **Düsen austauschen**

Es ist erforderlich, wie folgt zu verfahren: Bauen Sie die vordere Platte ab und demontieren Sie den Düsenhalter. Darauf tauschen Sie die Düsen nach der Tabelle mit den technischen Brennerdaten aus. Bauen den Düsenhalter wieder zurück und stellen Sie den Überdruck an der Düse auf entsprechende Werte für die gegebene Gassorte ein. Dies erfolgt so, dass Sie die Schraube am Kontrollüberdruckpunkt an der Düse ausschrauben (Abb. 4, Position 1) und daran das Manometer anschließen. Danach setzen Sie das Gerät auf maximale Leistung in Betrieb, mit dem Schlüssel 10 mm wird der Überdruck durch das Anziehen der Mutter erhöht und durch das Lösen reduziert. Nach seiner Einstellung auf den vorgeschriebenen Wert wird in die Spar-Betriebsart umgeschaltet. Mit dem Schlüssel halten Sie die Mutter gegen Verdrehung und mit dem Kreuzschlitz-Schraubendreher stellen Sie den Überdruck an der Düse auf den vorgeschriebenen Wert ein. Danach schrauben Sie die Schraube zurück und überprüfen Sie ihre Dichtheit.

**Wichtig:**

Nachdem die Umstellung des Verbrauchsgerätes

# GEBRAUCHSANWEISUNG

**Vor jeder Inbetriebnahme des Kessels prüfen Sie das Auffüllen des Duplikators mit Wasser.** Vor jeder Inbetriebnahme des Kessels mit indirekter Beheizung prüfen Sie das Auffüllen des Duplikators mit Wasser. Der Wasserpegel muss in der Höhe des Prüfhahns liegen (Abb. 2, Position 8). Läuft aus dem geöffneten Hahn kein Wasser heraus, ist der Duplikator nachzufüllen. Füllen Sie das Wasser über den Druckknopf für Wasserauffüllung im Duplikator nach (Abb. 1), den Sie gedrückt halten, solange aus dem geöffneten Hahn kein Wasser fließt. Wenn kein Wasser läuft, schließen Sie den Hahn.

## **Bedienung**

Stellen Sie den Energieregler (Abb. 1, Position B) auf „MAX“ ein und dann drehen Sie den Umschalter (Abb. 1, Position A) nach rechts oder links um 90°. So stellen Sie die maximale Leistung ein. Durch ein weiteres Drehen des Drehschalters um 90° stellen Sie den Spar-Betrieb ein. Die Leistung lässt sich weiter über den Energieregler reduzieren, wobei ein niedrigerer eingestellter Wert der niedrigeren Leistung gleicht. Den Energieregler benutzen Sie dann, wenn der Umschalter auf die Maximalleistung eingestellt ist.

## **Anzündung der Brenner**

Nach dem Drehen des Schalters auf die Maximalleistung oder den Spar-Betrieb kommt es zur automatischen Anzündung der Brenner. Das wird durch das Aufleuchten der grünen Kontrollleuchte signalisiert (Abb. 1, Position D). Wenn es nicht gelingt, sie auf das erste Mal anzuzünden, leuchtet die rote Reset-Taste auf (Abb. 1, Position C). Nach dem Drücken kommt es zur wiederholten Anzündung.

Wenn die orange Kontrollleuchte (Abb. 1, Position E) leuchtet, signalisiert das, dass die Brenner mit Volleistung laufen. Falls sie nicht leuchtet, heißt es, dass sie sich im Spar-Betrieb befinden. Dies kann dadurch verursacht werden, dass der Umschalter in die Spar-Position umgeschaltet, der Energieregler auf eine andere Position als „MAX“ eingestellt wurde, oder durch den Druckschalter dann, wenn im Duplikator erforderlicher Druck erreicht wurde.

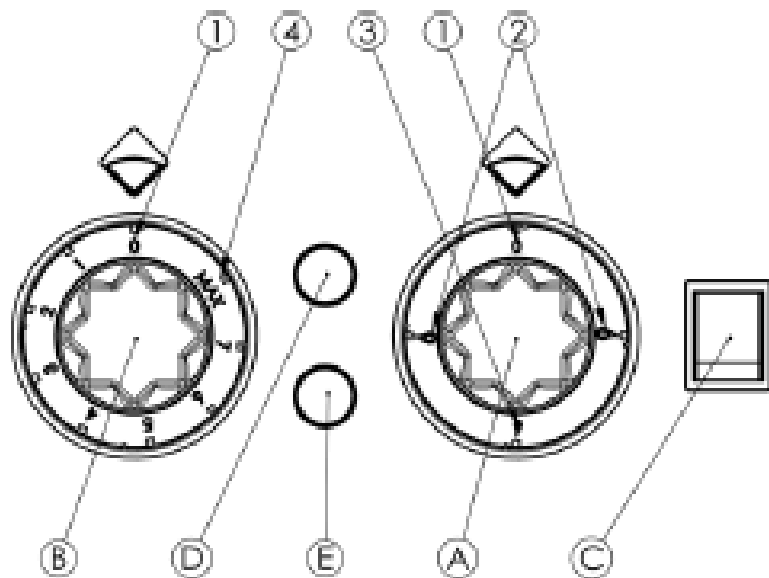
## **Ausschalten des Kessels**

Ausschalten des Kessels wird durch das Drehen des Umschalters in die Position „0“ durchgeführt.

Zum Auffüllen des Kochraumes mit Wasser benutzen Sie die Auffüllbatterie (Abb. 2, Position 10) auf der oberen Kesselplatte. Öffnen Sie den Deckel, drehen Sie den Träger in die Parkposition um und machen Sie den Kesseldeckel zu.

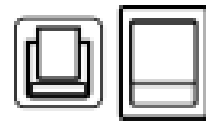
Kommt es während des Betriebes zum Auskochen des Wassers im Duplikator, schalten Sie den Kessel sofort aus. Das Nachfüllen des Wassers ist erst nach der Abkühlung des Kessels möglich. Falls diese Bedingung nicht eingehalten wird, droht eine Beschädigung des Duplikators!

Der maximale Wasserstand ist 40 mm unter dem oberen Rand der Wanne. Denken Sie daran, dass der Wasserstand nach dem Hineinlegen der Lebensmittel ins Wasser steigt!



**A** – Umschalter  
**B** – Energieregler  
**C** – Reset-Taste  
**D** – Kontrollleuchte grün  
**E** – Kontrollleuchte orange

**1** – Stellung AUS  
**2** – Volleistung  
**3** – Sparregime  
**4** – Volleistung



Taste zum Wassereinlassen  
 in den Duplikator

## BEDIENUNG DES AUTOKLAVS:

Das Autoklav-System funktioniert nach dem gleichen Prinzip wie ein Schnellkochtopf. Für seine sichere Funktion sollte man sich vergewissern, dass alle 4 Klappen bis zur höchstzulässigen Grenze festgezogen sind.

### ACHTUNG!!!!

Vor dem Öffnen des durch das Autoklav-System gesicherten Deckels ist stets der Druck in Form des Dampfes über das in der Mitte des Deckels befindliche Sicherheitsventil abzulassen. Die Nichteinhaltung dieses Verfahrens kann einen Unfall zur Folge haben, wobei der Hersteller für keinerlei Sach- und Gesundheitsschäden haftet.

fig. A



Vor jeder Inbetriebnahme des Kessels prüfen Sie das Auffüllen des Duplikators mit Wasser. Der Wasserpegel muss in der Höhe des Prüfhahns liegen (Abb. 2, Position 6). Läuft aus dem geöffneten Hahn kein Wasser heraus, ist der Duplikator nachzufüllen. Das Wasser füllen Sie mithilfe des Einlassventils auf (siehe Abb. A). Füllen Sie solange Wasser ein, bis aus dem geöffneten Hahn Wasser fließt. Sobald das Wasser nicht mehr fließt, schließen Sie den Hahn.

### ***HINWEIS!***

***Füllen Sie nie Wasser in den Duplikator, solange der Kessel in Betrieb ist, oder solange sich das Wasser im Duplikator nicht abgekühlt hat  
! ES DROHT UNFALLGEFAHR BZW. DIE ZERSTÖRUNG DES DUPLIKATORS !***

## **WARTUNG**

Es wird empfohlen, das Gerät mindestens zweimal jährlich von einem Fachservice überprüfen zu lassen. Sämtliche Eingriffe im Gerät können nur von einer qualifizierten und dazu berechtigten Person durchgeführt werden.

Vorsicht! Vor der Inbetriebnahme des Gerätes müssen Sie von der ganzen Oberfläche Schutzfolien an den rostfreien Blechen abziehen, das Gerät gut mit Wasser mit Spülmittel waschen und danach mit einem im sauberen Wasser eingetauchten Wischtuch abwischen.

Benutzen Sie das Gerät nie, wenn im Duplikator kein Wasser ist! Beschädigungsgefahr! Das Wasser im Duplikator regelmäßig kontrollieren und nachfüllen.

Bei längerer Benutzung des Verbrauchsgeräts ist seine regelmäßige Wartung wegen der Sicherheit notwendig. Wir empfehlen daher, einen Servicevertrag zu unterzeichnen.

werden, die sich an gültigen Normen, Vorschriften und in der Bedienungsanleitung enthaltenen Ratschlägen halten. Eine optimale Häufigkeit der vorbeugenden Prüfungen ist 1 x pro 6 Monate, bei extremer Belastung empfiehlt sich die Prüfungen 1 x pro 3 Monate durchzuführen. Dank dieser Prüfungen können schwerere Schäden vorgebeugt und dadurch ökonomische Belastung des Gerätebetriebes reduziert werden.

### **Reinigung und Wartung:**

Die alltägliche Reinigung des Verbrauchsgerätes stellt eine Gewährleistung seiner perfekten Funktionierung und langzeitigen Lebensdauer dar. Nichtrostende Bestandteile mit einem feuchten Tuch mit Spülmittel abwaschen. Keine Mittel mit Chlor oder Schleifstoffe verwenden. Nach Abwaschen mit einem feuchten Tuch ohne ein Spülmittel abwischen.

### **RATSCHLÄGE ZUM REINIGEN DER EINZELNEN BESTANDTEILE:**

Die Kesselwanne gründlich waschen und abwischen. Zur Reinigung für rostfreies Geschirr bestimmte Spülmittel für professionelle Küchen verwenden.

In Ausnahmefällen können beim Betrieb des Kessels, im inneren Duplikator-Gefäß, auf der Oberfläche Flecken erscheinen, die aber in keinerlei Hinsicht seine Funktion oder gesundheitliche Mängelfreiheit einschränken. Es handelt sich dabei um keinen Fehler, der beanstandet werden könnte. Das Auslassventil öffnen und mit reinem Wasser ausspülen. Den Inhalt des Kessels nie ohne das Auslasssieb auslaufen lassen. Verstopfungs- und Ventilentwertungsgefahr. Jeden Tag nach der Benutzung sind die Reibflächen des Auslasshahnes mit Nahrungsmittelvaseline durchzuschmieren. Beim Kegelhahn sichert die Vaseline zugleich seine Dichtheit.

### **Was ist in einem Schadensfall zu tun:**

Den Wasseranschluss schließen und die Stromzufuhr abstellen und unumgänglich den Service anrufen. Bei langzeitiger Abstellung den Wasseranschluss schließen und den Stromanschluss trennen.

## DÉCLARATION DE CONFORMITÉ

Le fabricant certifie la conformité des appareils aux normes 2009/142/ES, 2014/30/ES, 2014/35/ES à la loi n° 22/1997 sb., 258/2000 sb., 258/2000 sb., 616/2006 sb., 17/2003 sb. et aux décrets applicables. L'installation doit être effectuée dans le respect des normes en vigueur. Attention: le fabricant décline toute responsabilité en cas de dommages, directs ou indirects, causés par une mauvaise installation, par une utilisation, des interventions ou des modifications impropres, par un entretien insuffisant, ainsi qu'en cas de dommages dérivant des causes mentionnées dans les conditions de vente. L'appareil objet de la présente notice est prévu pour un usage professionnel, aussi son utilisation doit-elle être confiée à un personnel possédant les compétences nécessaires à cet effet. L'utilisateur ne doit procéder à aucune intervention ni à aucune modification sur les parties réglées et protégées par le fabricant ou autre personnel autorisé à cet effet.

### CARACTÉRISTIQUES TECHNIQUES

L'étiquette sur laquelle figurent les caractéristiques techniques est apposée sur la partie postérieure de l'appareil. Avant de procéder à l'installation, prendre connaissance du schéma électrique et de toutes les informations que contient la présente notice.

Type de produit	Vase d'expansion	Volume chaudière (l)	Puissance (kW)	Tension d'arrivée (V/Hz)	Dimensions (cm)
BI(A)-100/98G	oui	100	22,5	230/50	80x90x90 h

	12,8 kWh/kg G30/31 PROPANE/ BUTANE 30mbar	12,8 kWh/kg G31 PROPANE 37mbar	12,8 kWh/kg G30/31 PROPANE/ BUTANE 50mbar	9,45 kWh/kg G20 NATURAL GAS 20mbar
Buse de brûleur 1/100mm	135	135	135	250
Surpression sur buse – puissance maximale (mbar)	23	23	23	9
Surpression sur buse - économique (mbar)	10	10	10	3
Consommation de gaz	1,7 kg/h	1,7 kg/h	1,7 kg/h	2,4 m3/h

## **CONTROLE DE L'EMBALLAGE ET DE L'APPAREIL**

En vue de son transport, l'appareil quitte les établissements du fabricant parfaitement emballé (sur l'emballage sont apposés les étiquettes et les symboles nécessaires à cet effet). L'emballage contient également la notice des instructions d'utilisation. Dans le cas où l'emballage présenterait des dommages ainsi que dans le cas où il s'avérerait qu'il a été manipulé sans les précautions nécessaires, il est impératif d'adresser sans attendre une déclaration au transporteur en y joignant une acceptation de la marchandise sous réserve.

### **Recommandation importante:**

-Le produit est destiné uniquement à un usage intérieur.

N'utilisez jamais cet appareil si le cordon ou la fiche sont endommagés, si l'appareil fait défaut, s'il a été échappé ou endommagé ou immergé. Dans ce cas, retournez cet appareil au centre service autorisé pour examen.

- Pour usage professionnel seulement
- La présente notice des instructions d'utilisation et d'entretien contient d'importantes informations relatives à la sécurité, à l'installation et à l'utilisation; il est nécessaire d'en effectuer attentivement la lecture.
- Les recommandations se réfèrent à l'appareil objet de la présente notice.
- L'appareil est conforme aux normes en vigueur.
- Veiller à bien conserver la notice de telle sorte qu'elle puisse être consultée à tout moment en cas de besoin.
- Ne pas laisser des enfants s'approcher de l'appareil durant son utilisation.
- Pendant la vente ou après le déménagement de l'appareil vérifier que le personnel lise attentivement la présente notice d'utilisation
- L'appareil ne peut être utilisé que par le personnel instruit
- L'appareil ne peut être laissé en marche sans surveillance
- Il est recommandé de faire l'appareil contrôler au moins une fois par an dans un service spécialisé
- Ne pas utiliser que des pièces détachées originelles.
- En cas de défaut ou de mauvaise fonction, débrancher l'appareil (eau, gaz, électricité) et appeler un service spécialisé
- Le fabricant décline toute responsabilité en cas de dommages, directs ou indirects, causés par une mauvaise installation, utilisation, etc

## **LA LOCATION**

Le local dans lequel l'appareil est installé doit être bien ventilé. Si l'appareil doit toucher le parois, celui-ci doit résister à la chaleur de 90°C au minimum. L'installation, le réglage et la mise en marche doivent être effectués par une personne qualifiée ayant une autorisation nécessaire selon les normes en vigueur.

Déballez l'appareil et vérifiez s'il n'était pas endommagé pendant le transport. Placez l'appareil sur une surface horizontale (pente maximale de 2°). Placez l'appareil sous une hotte pour éliminer la vapeur et mauvaise odeur.

L'appareil peut être installé seul ou en série avec d'autres appareils de notre fabrication. Il faut respecter la distance minimale de 10 cm entre l'appareil et d'autres objets ainsi qu'éviter le contact avec les matériaux inflammables. Dans ce cas il faut prévoir les arrangements nécessaires pour assurer la protection des parties inflammables.



## INSTRUCTIONS TECHNIQUES POUR INSTALLATION ET REGLEMENT

### Important:

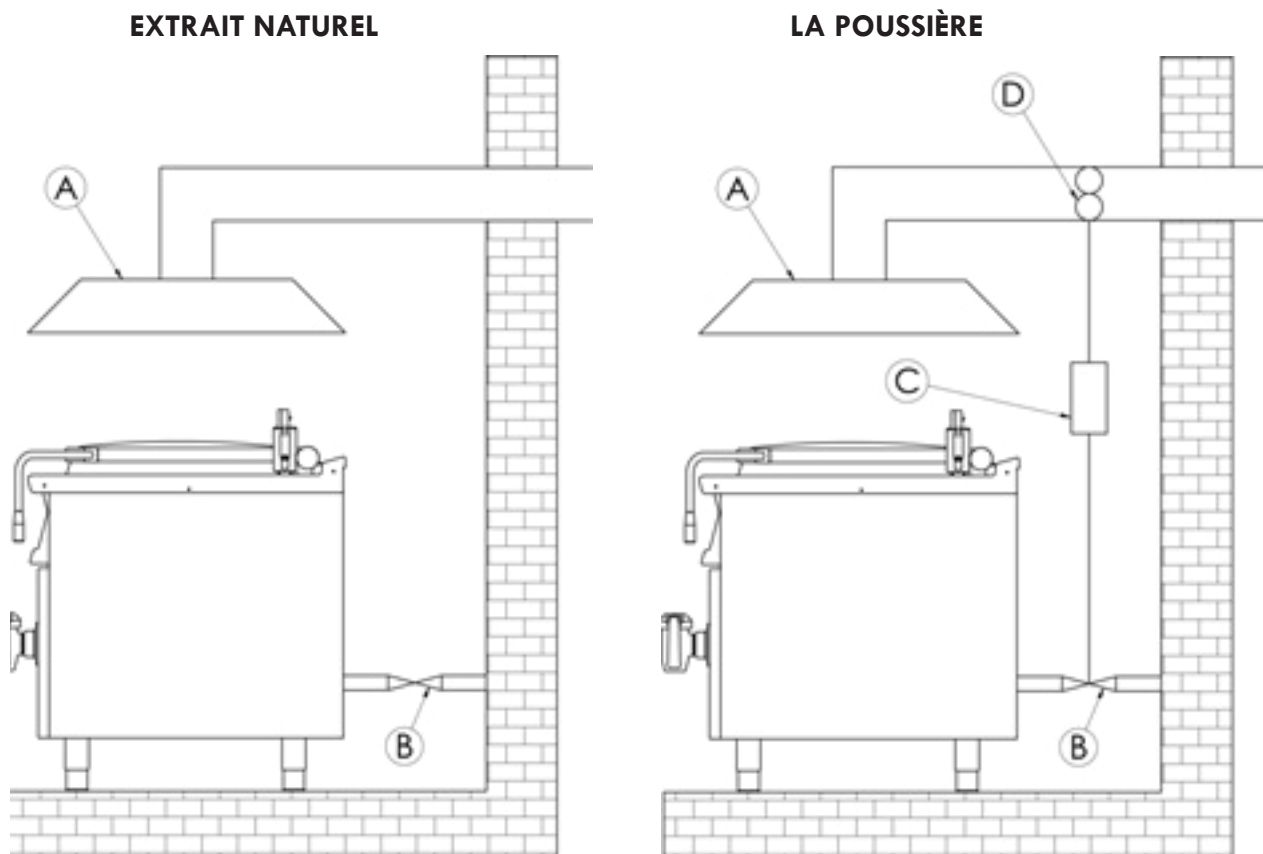
Le fabricant ne fournit pas de garantie pour les défauts causés par l'usage, tout manquement impropre aux instructions contenues dans les instructions ci-jointes pour l'utilisation et aux mauvais traitements des appareils.

Installation, réglage et réparation d'appareils pour les cuisines, ainsi que leur élimination en raison de dommages possibles au gaz peut être effectuée qu'en vertu d'un contrat de maintenance, ce contrat peut être signé avec un distributeur agréé, et doivent être conformes à la réglementation technique et normes et réglementations concernant l'installation, l'alimentation, de raccordement de gaz et de la santé et la sécurité du système.

Ces instructions sont destinées au technicien qualifié qui doit effectuer l'installation, le mettre en marche et tester l'appareil.

Toute activité en tant que paramètres, le placement, le rééquilibrage etc, doit être faite que lorsqu'il est périphérique déconnecté de l'électricité. Si il est nécessaire d'avoir le périphérique connecté à l'électricité, vous devez garder la plus grande attention afin d'éviter toute blessure.

### CHEMINÉE POUR LA CONCEPTION D'UN DISPOSITIF DE TYPE A



Hotte aspirante avec extraction naturelle (A). Gaz de combustion fournit un tirage de la cheminée naturelle.

Bouchon à la sortie sans extraction naturelle. Des gaz de combustion est assurée par un ventilateur (D) (extraction forcée). Dans ce cas il faut assurer la connexion avec une alimentation en gaz (B) à l'alimentation en gaz en cas de défaillance.

## MÉSURES DE SÉCURITÉ POUR LA PROTECTION CONTRE INCENDIE SELON EN 06 1008 ARTICLE 21:

- l'appareil ne peut être utilisé que par des personnes majeures
- l'appareil peut être utilisé dans un espace ordinaire selon EN 332000-4-482; 332000-4-42
- l'appareil doit être placé ou suspendu d'une manière stable sur une surface ininflammable

Il est interdit de placer sur l'appareil ou dans la distance inférieure à 10 cm de l'appareil des objets inflammables.

- les distances de sécurité pour les matériaux inflammables selon leurs degré d'inflammabilité et les informations sur l'inflammabilité des matériaux de construction – voir le tableau

### Tableau:

degré d'inflammabilité d'un matériel de construction (EN 730823)

A ininflammables	granit, grès, béton, briques, carrelage céramique, enduit
B difficilement inflammables	acumin, héraclite, lihnos, itaver
C1 mal inflammables	bois des arbres feuillus, contre-plaqué, papier durci, umakart
C2 inflammabilité moyenne	aggloméré, solodur, liège, caoutchouc, revêtements
C3 inflammabilité facile	planches de fibre de bois, polystyrène, polyurethane, PVC

L'appareil doit être installé d'une manière sûre. Pour l'ajustage de l'appareil est ce-ci procuré des pieds réglables.

- EN 06 1008 protection contre incendie des consommateurs d'énergie locaux et des émetteurs de chaleur
- EN 33 2000 (33 2000-4-482; 33 2000-4-42) le milieu pour les appareil électriques

## TUYAU D'AMENÉE DU GAZ

Il faut d'abord déterminer si l'appareil est fait pour le même type de gaz qui sera utilisé et est donc conforme aux indications figurant sur l'étiquette du type de gaz utilisé.

La conversion de la poêle à gaz à un autre type de gaz, vous devez vérifier si elle correspond au type de palier à gaz, ce qui est recommandé dans ce guide.

Connexion de l'appareil à la distribution de gaz doit être tractable à un tube d'acier ou de cuivre se conformer aux exigences applicables nationales. Ce doit être contrôlée sur une base régulière et changé si nécessaire. Chaque appareil doit être équipé d'un robinet d'arrêt et rapide robinet d'arrêt. Rapide robinet d'arrêt doit être librement accessible et à portée de main de l'appareil. Après l'installation, est nécessaire pour vérifier s'il ya une fuite de gaz. Pour trouver une fuite de gaz, vous pouvez utiliser de l'eau savonneuse ou un spray pour la détection de fuite de gaz.

Ne pas utiliser de substances corrosives! Tous nos appareils sont soigneusement contrôlés. Type de gaz, la pression et des catégories énumérées le nom figure sur la plaque de l'information technique.

Raccordement au gaz liquide:

La pression de gaz pour le raccordement de liquide doit être 28 ou 30 mbar pour le propane / butane et 37 mbar pour le propane. Il est nécessaire de vérifier l'étiquette technique, d'évaluer la pression et vérifier les paramètres de la buse est installé avec les paramètres requis de la buse selon les indications du fabricant. Si la pression est inférieure à 25mbar ou supérieure à 37 mbar, l'appareil doit ne pas être connecté.

Raccordement au gaz:

Pression pour la connexion du méthane doit être 18 ou 20 mbar. Il est nécessaire de vérifier l'étiquette technique, d'évaluer la pression et vérifier les paramètres de la buse est installé avec les paramètres requis de la buse selon les indications du fabricant. Si la pression du gaz est inférieure à 15mbar ou supérieur à 22,5 mbar, l'appareil doit ne pas être connecté.

## BRANCHEMENT ÉLECTRIQUE

Installation de prise de courant – La prise de courant doit avoir un coupe-circuit indépendant en dépendance de puissance fournie de l'appareil. Vérifiez la puissance de l'appareil sur la plaque des caractéristiques techniques.

Branchez l'appareil directement au réseau, il faut mettre un interrupteur entre le réseau et l'appareil, son ouverture de contacts étant 3 mm au minimum. Câble de terre (vert-jaune) ne peut pas être interrompu par cet interrupteur. En tout cas, le câble de prise de courant doit être placé de telle manière que sa température ne dépasse jamais la température du milieu de plus que 50°C. Avant le branchement au réseau, s'assurer que :

- le coupe-circuit et distribution intérieure peuvent endurer la charge de l'appareil (voir la plaque)
- la mise à la terre fonctionne selon les normes en vigueur (EN) et selon la loi
- la prise ou l'interrupteur de circuit sont faciles d'accès

Le fabricant rénonce à toute responsabilité en cas que les normes ne seront pas respectés ainsi qu'en cas de dérogation des règles mentionnés ci-haut.

**Avant la première utilisation**, il faut retirer le film de protection et nettoyer l'appareil – voir chapitre « nettoyage et entretien ».

### Entretien:

Il est recommandé de faire contrôler l'appareil dans un service spécialisé au moins une fois par an. Toutes les interventions peuvent être effectuées seulement par une personne qualifiée ayant une autorisation pour ces interventions.



-N'introduisez pas la fiche du cordon dans la prise de courant et ne débranchez pas l'appareil de la prise électrique si vos mains sont mouillées ou en tirant sur le cordon électrique !

-N'utilisez pas de rallonge ou de multiprise.

## WARM - UND KALTWASSERANSCHLUSS

Le branchement de l'eau chaude et froide est réalisé à l'aide de tuyaux avec filets G1/2. Le branchement est réalisé après avoir retiré le panneau avant. L'arrivée de l'eau doit être équipée en obturateurs indépendants librement accessibles et à la portée de l'équipement. L'équipement comprend des soupapes de retenue. L'eau pour le remplissage de l'espace du vase d'expansion doit être adoucie - maximum 5° du degré allemand de la dureté de l'eau.

La pression de l'eau d'arrivée doit se situer entre 50 et 300 kPa. Le branchement doit être conforme à la norme EN 1717 et aux règlements nationaux en vigueur pour la gestion des eaux.

## CONTRÔLE DE LA PUISSANCE THERMIQUE

**Les appareils doivent être contrôlés pour vérifier leur puissance thermique :**

La puissance thermique est indiquée sur la plaque ou vous pouvez la trouver dans le présent mode d'emploi

Il faut tout d'abord vérifier si l'appareil a été fabriqué pour le type de gaz qui sera utilisé et donc si l'indication sur la plaque correspond au type de gaz qui sera utilisé.

Pour la transformation de la chaudière à un autre type de gaz, il faut contrôler si le type de gaz indiqué correspond à celui qui est recommandé dans le présent manuel.

La pression est mesurée à l'aide d'un manomètre à sensibilité requise. Le manomètre est branché sur son point de destination – il faut dévisser la vis avec fermeture étanche et brancher le manomètre. A l'issue de la mesure, il faut revisser la vis et contrôler son étanchéité.

## MESURES POUR LA TRANSFORMATION ET L'INSTALLATION À UN AUTRE TYPE DE GAZ

Nos appareils sont certifiés et réglés pour le gaz naturel (voir plaque). La transformation ou l'adaptation à un autre type de gaz ne doit être réalisée que par un technicien autorisé. Les buses pour les différents types de gaz se trouvent dans le petit sac joint à l'appareil et elles sont indiquées en centièmes de mm (tableau des données techniques des brûleurs).

### Remplacement des buses

Il faut procéder comme suit : Démontez le panneau avant et le support des buses. Remplacez les buses conformément au tableau des données techniques des brûleurs. Remontez le support des buses et, sur la soupape de gaz, réglez la surpression sur la buse à la valeur correspondant au gaz utilisé. A cet effet, démontez la vis sur le point de contrôle de la surpression sur la buse (figure 4, point 1) et branchez-y le manomètre. Mettez l'appareil à la puissance maximale et à l'aide de la clé de 10mm, le serrage du boulon augmente la surpression et le desserrage la réduit. Après le réglage à la valeur prescrite, passez au régime économique. A l'aide de la clé, assurez le boulon contre tout mouvement et avec le tournevis en croix réglez la surpression sur la buse à la valeur exigée. Remontez ensuite la vis et contrôlez son étanchéité.

### Important :

Après la réalisation du réglage de l'appareil à un autre type de gaz, il est indispensable d'indiquer la modification du gaz sur la plaque de l'appareil.

## MODE D'EMPLOI

Avant chaque mise en service de la chaudière avec chauffage indirect, contrôlez le remplissage d'eau du vase d'expansion. La hauteur du niveau doit être à la hauteur du robinet de contrôle. Si l'eau ne coule pas de ce robinet ouvert, le vase d'expansion doit être complété. Complétez l'eau à l'aide du bouton de remplissage de l'eau dans le vase d'expansion (figure 1) que vous tenez jusqu'à ce que l'eau coule du robinet ouvert. Lorsque l'eau s'arrête de couler, fermez le robinet.

### Commande

Réglez le régulateur d'énergie (figure 1, point B) à « MAX » puis tournez le commutateur (figure 1, point A) vers la droite ou la gauche de 90°. Il s'agit du réglage à la puissance maximale. En tournant de nouveau le commutateur de 90°, vous réglez la puissance économique. Il est possible de la réduire à l'aide du régulateur d'énergie – valeur réglée inférieur = puissance inférieure. Le régulateur d'énergie peut être utilisé également lorsque le commutateur est réglé à la puissance maximale.

### Allumage des brûleurs

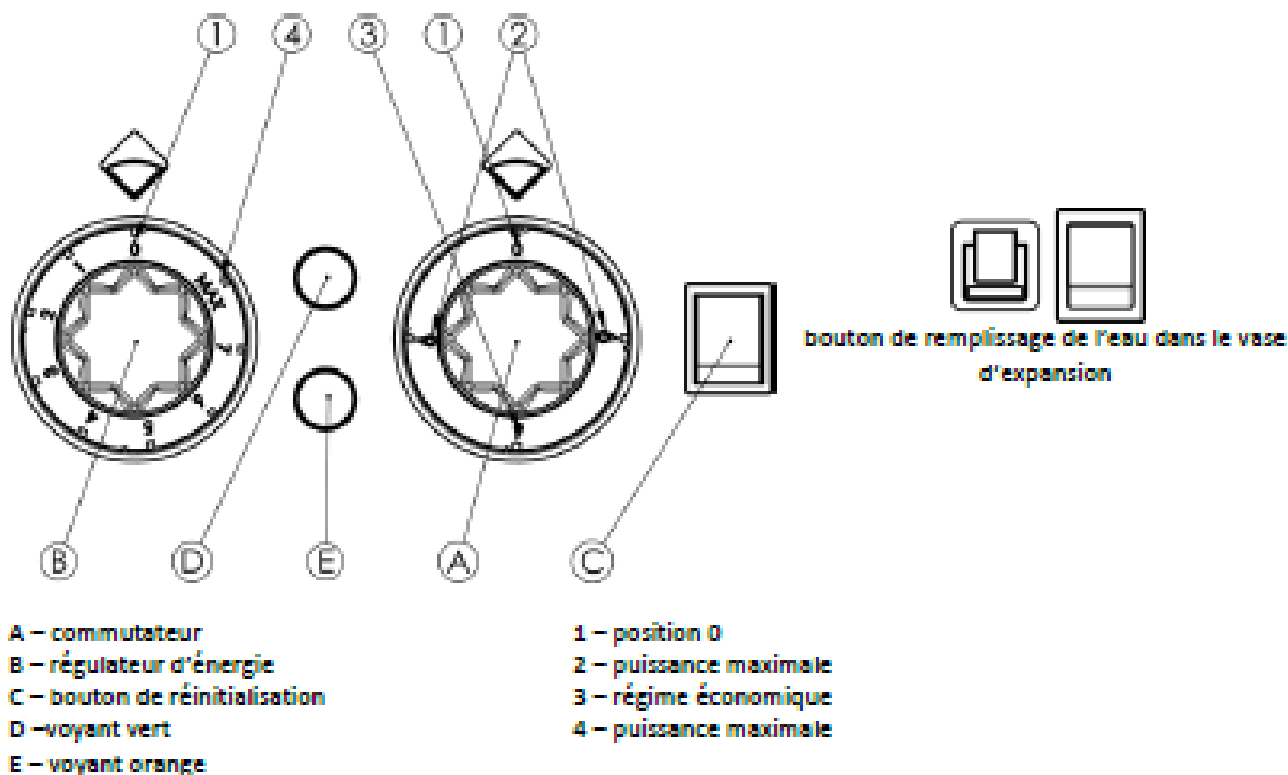
L'allumage automatique des brûleurs intervient lorsque le commutateur est mis en position puissance maximale ou régime économique. Cela est signalé par l'allumage du voyant vert (figure 1, point D). Si l'allumage ne réussit pas lors de la première tentative, le bouton de réinitialisation (figure 1, point C) s'allume en rouge. L'allumage est répété lorsque vous l'appuyez.

Si le voyant orange est allumé (figure 1, point E), il signale que les brûleurs fonctionnent à puissance maximale. S'il n'est pas allumé, ils fonctionnent en régime économique. Cela peut être dû à la position du commutateur en régime économique, au réglage du régulateur d'énergie en position autre que « MAX » ou au commutateur de pression en cas de pression suffisante dans le vase d'expansion.

Pour remplir d'eau l'espace de cuisson, utilisez le robinet de remplissage (figure 2, point 10) sur la plaque supérieure de la chaudière. Ouvrez le couvercle, déplacez le bras au-dessus de l'espace de la chaudière et ouvrez l'eau. Après le remplissage de la chaudière, fermez l'eau et déplacez le bras en position de stationnement, puis fermez le couvercle de la chaudière.

En cas d'ébullition de l'eau du vase d'expansion pendant le service, éteignez immédiatement la chaudière. Vous pouvez compléter l'eau après le refroidissement de la chaudière. Le non-respect de cette condition peut entraîner l'endommagement du vase d'expansion !

La hauteur maximale du niveau est de 40 mm en dessous du bord supérieur de la cuve. N'oubliez pas que le niveau monte lorsque vous mettez les aliments dans l'eau !



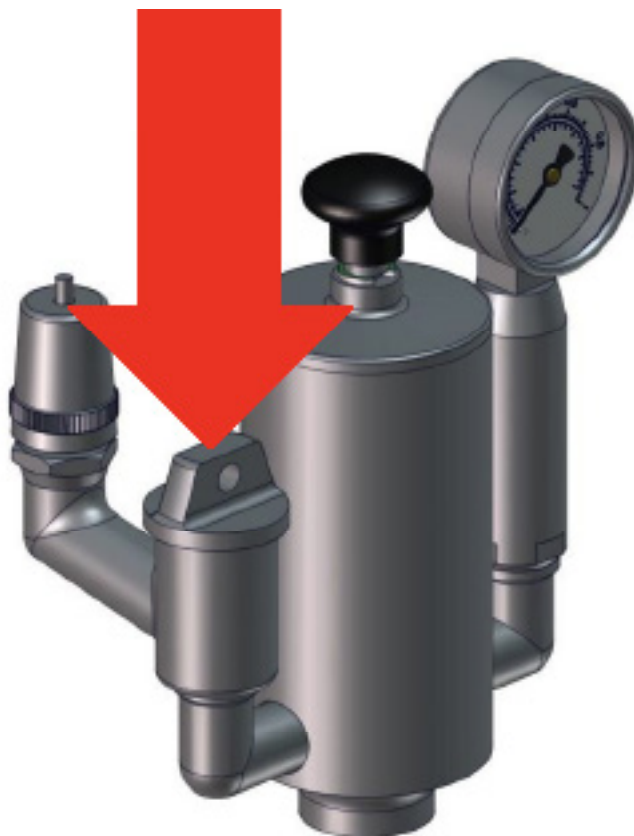
## MODE D'EMPLOI DE L'AUTOCLAVE :

le système autoclave est basé sur le même principe que celui de l'autocuiseur. Pour que son fonctionnement ne soit pas dangereux il faut s'assurer que lors de son utilisation les 4 fermais soient serrés au maximum.

### ATTENTION!!!!

Avant d'ouvrir le couvercle il faut dépressuriser l'autoclave en utilisant la valve de sécurité placée au milieu du couvercle. Le non-respect du mode d'emploi peut entraîner des dégâts ou blessures dont le fabricant n'assume pas la responsabilité, ni au niveau matériel ni au niveau médical.

fig. A



Avant chaque mise en service de la chaudière, contrôler le remplissage d'eau du vase d'expansion. La hauteur du niveau doit être à la hauteur du robinet de contrôle. Si l'eau coule pas de ce robinet ouvert, le vase d'expansion doit être complété. Complétez l'eau à l'aide de la vanne de mise à niveau (voir fig. A). Continuez d'ajouter de l'eau jusqu'à ce que l'eau commence à déborder par le robinet ouvert. Fermez le robinet lorsque l'eau arrête de couler.

**AVERTISSEMENT !**

***N'ajoutez jamais d'eau dans le bain-marie lorsque la marmite est en marche ou lorsque l'eau du bain-marie n'est pas refroidie.***

***!!! RISQUE DE BLESSURE OU D'ENDOMMAGEMENT DE LA MARMITE BAIN-MARIE !!!***

## **ENTRETIEN**

Nous recommandons de laisser contrôler l'appareil au minimum deux fois par an dans un service spécialisé. Les interventions dans l'appareil ne peuvent être réalisées que par une personne qualifiée disposant d'une autorisation.

**Attention !** Avant de commencer à utiliser l'appareil, il faut retirer de toute la surface le film de protection de la tôle inox, puis bien laver à l'eau avec détergent pour vaisselle, puis nettoyer avec un chiffon trempé dans de l'eau propre.

N'utilisez jamais l'équipement lorsque le vase d'expansion ne contient pas d'eau ! L'équipement risque d'être endommagé ! Contrôlez régulièrement l'eau du vase d'expansion et complétez.

Après une utilisation prolongée de l'appareil, un entretien régulier pour l'utilisation en toute sécurité est indispensable, nous recommandons donc de signer le contrat de service.

L'entretien ne peut être réalisé que par des techniciens de service qui respectent les normes et règlements en vigueur et les conseils compris dans le mode d'emploi. La fréquence optimale des contrôles préventifs est de 1 fois tous les 6 mois. Lors des charges extrêmes, il s'avère bon de réaliser les contrôles 1 fois tous les 3 mois. Les contrôles préventifs permettent d'éviter les pannes importantes et réduisent ainsi la charge économique de l'exploitation de l'équipement.

### **Nettoyage et entretien :**

Le nettoyage quotidien de l'appareil est la garantie de son fonctionnement parfait et de sa longévité prolongée. Lavez les parties inox à l'aide d'un chiffon humide avec détergent. N'utilisez pas des détergents contenant du chlore ou des abrasifs. Après le lavage, nettoyez à l'aide d'un chiffon humide sans détergent.

### **CONSEILS POUR LE NETTOYAGE DES DIFFÉRENTES PARTIES :**

Lavez bien la cuve de la chaudière et essuyez-la jusqu'à ce qu'elle soit sèche. Utilisez des détergents destinés aux cuisines professionnelles pour le lavage de la vaisselle inox. Lors de l'exploitation de la chaudière, des taches peuvent apparaître exceptionnellement sur la surface de l'intérieur du vase d'expansion. Elles ne limitent pas le fonctionnement ou la salubrité. Il ne s'agit pas d'un défaut et elles ne peuvent faire l'objet d'une réclamation.

Ouvrez la soupape de vidange et rincez à l'eau propre. Ne jamais vidanger le contenu de la chaudière sans le tamis d'écoulement. Vous risquez de boucher et d'endommager la soupape.

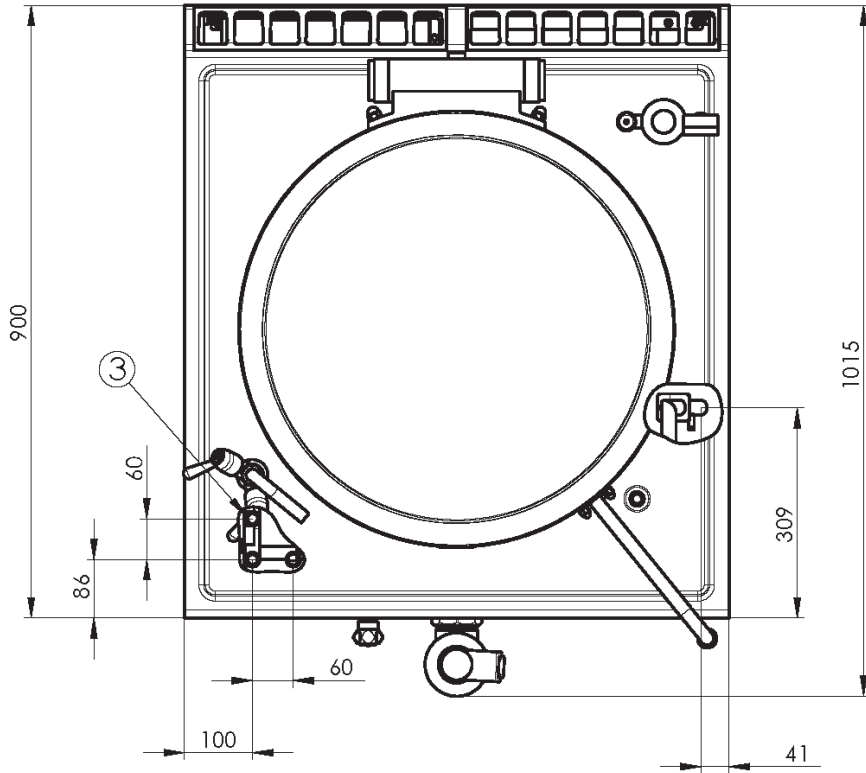
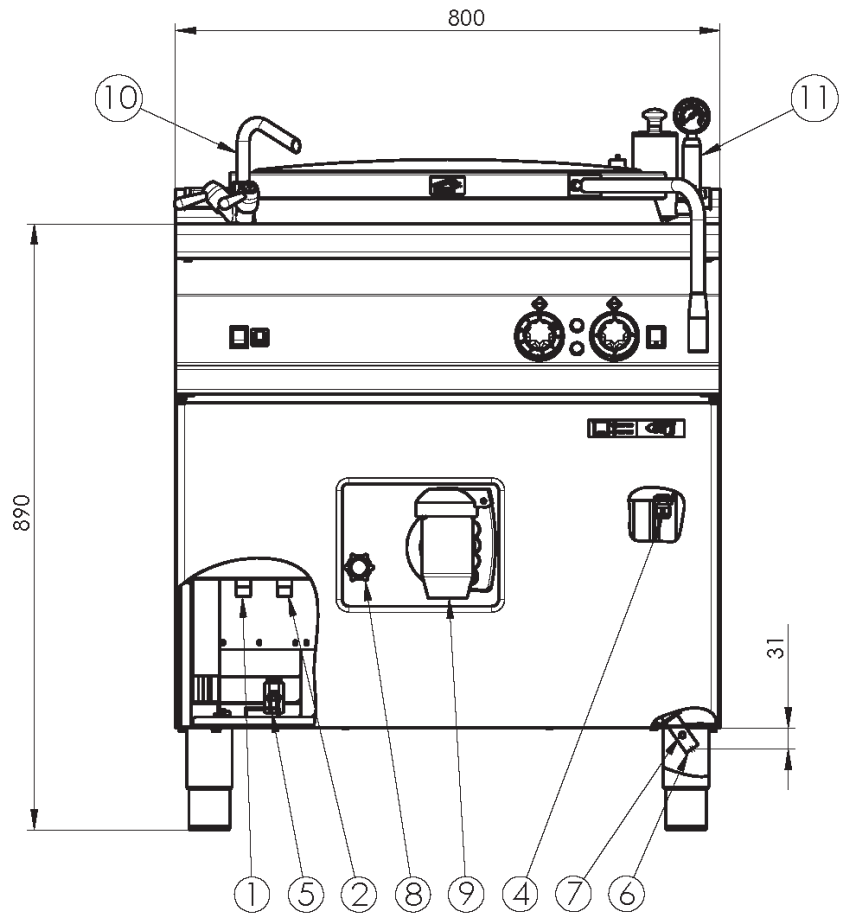
Après chaque journée d'utilisation, il est indispensable de graisser les surfaces de frottement du robinet de vidange à l'aide d'une vaseline alimentaire. La vaseline assure également l'étanchéité du robinet à cône.

### **Que faire en cas de panne :**

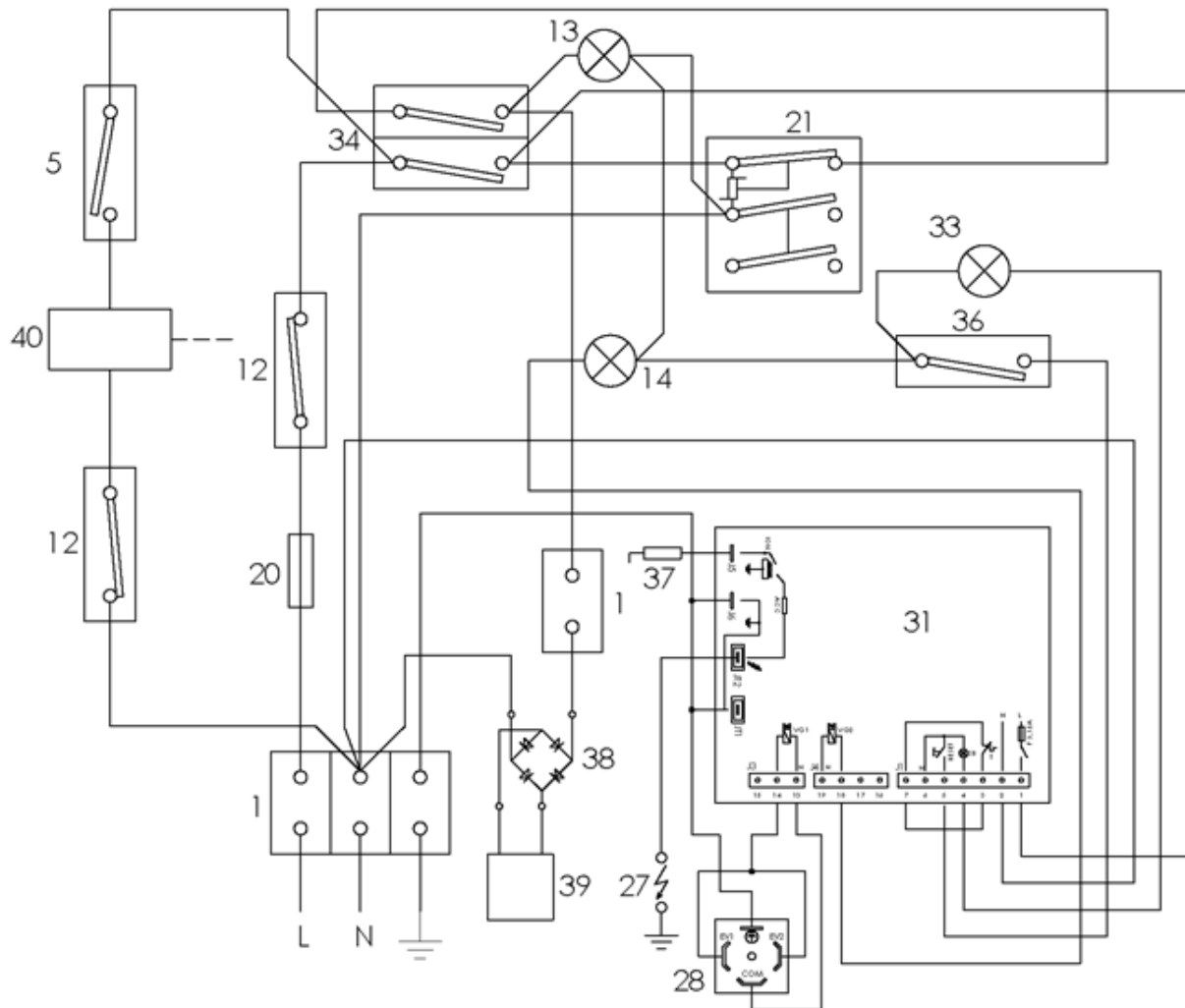
Fermez l'arrivée de l'eau, débranchez le courant et appelez dans les plus brefs délais l'organisation de service. Lors d'un arrêt prolongé, fermez l'arrivée de l'eau et débranchez l'appareil.

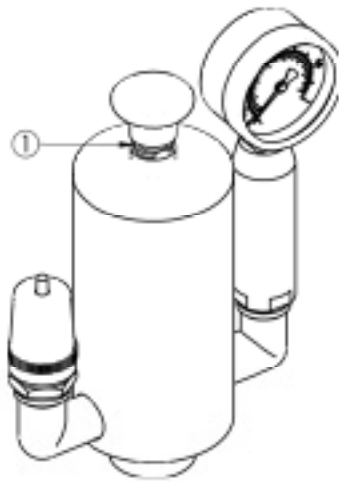


# DIMENSION PLANS / MASSKIZZEN / DIMENSIONS



**EL. CONNECTION DIAGRAM / SCHALTPLAN / SCHÉMA DU ELECTRIQUE**





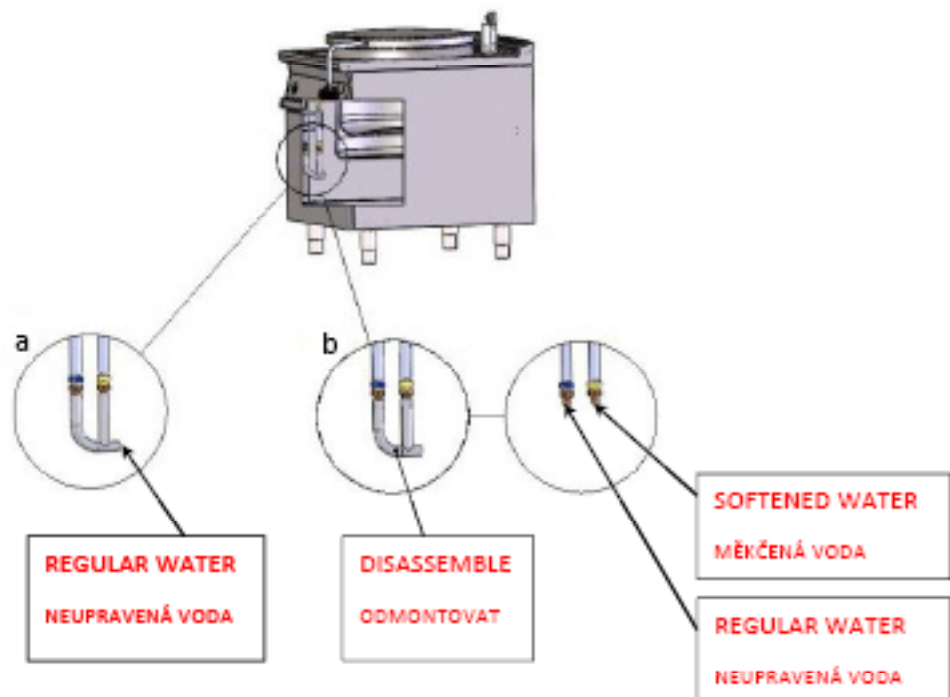
## Add 1



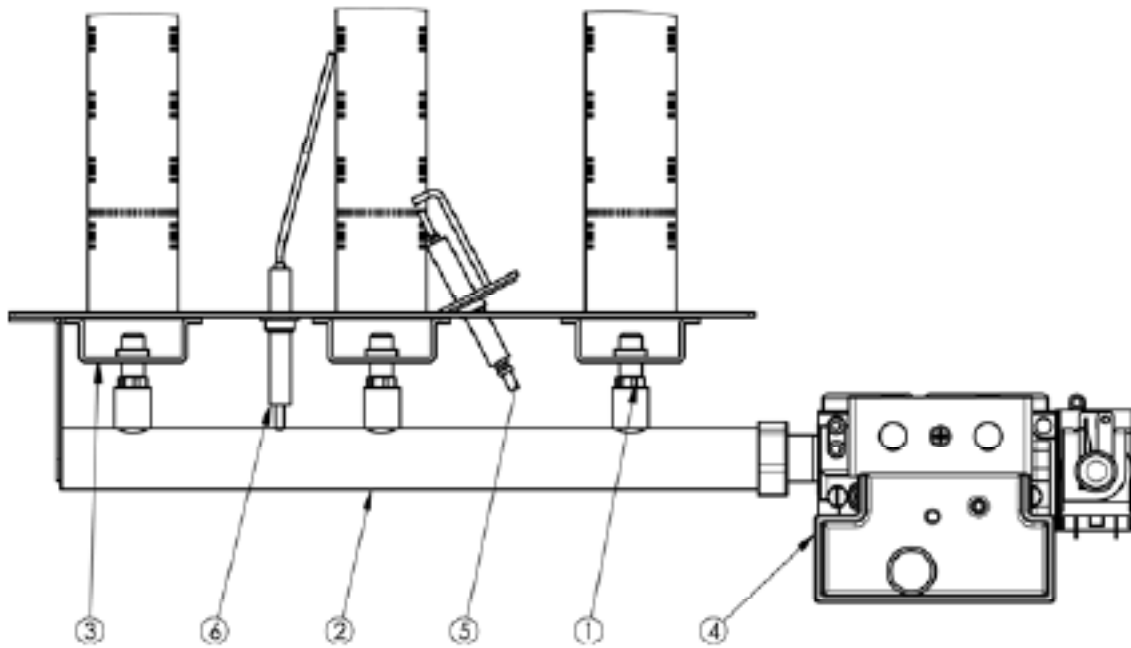
## Add 2

a) For regular water only / Pouze pro neupravenou vodu

b) For softened and regular water / Pro měkčenou a neupravenou vodu

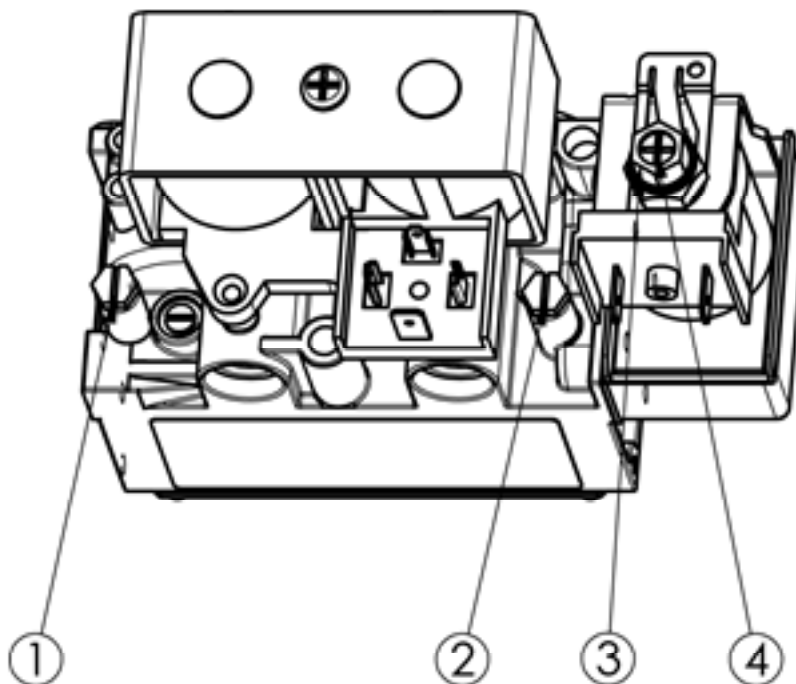


## GAS VALVE, NOZZLES AND BURNERS



- 1 – nozzle
- 4 – gas valve
- 2 – nozzle holder
- 5 – ignition plug
- 3 – burner
- 6 – ionisation electrode

## GAS VALVE



- 1 – exit gas pressure inspection site
- 3 – full output pressure adjustment nut
- 2 – supply gas pressure inspection site
- 4 – economy pressure adjustment nut

# valve disassembly

## Estrazione ed inserimento del maschio

Portare il rubinetto in posizione di rubinetto aperto fig. A.

Allentare il grano (6) non è necessario svitarlo del tutto Fig. B.

Svitare la ghiera (5) fig. C.

Sfilare il maschio (2) dal corpo (1) fig. D.

Riposizionare il maschio (2) all'interno del corpo (1) inserendo la vite di fermo rotazione nell'apposita feritoia posta sul corpo (1) fig. E.

Avvitare la ghiera (5) controllando che il serraggio non blocchi la rotazione del maschio (2).

Bloccare il grano (6)

## Extraction and insertion of the male

Take the drain cock to the open position form A.

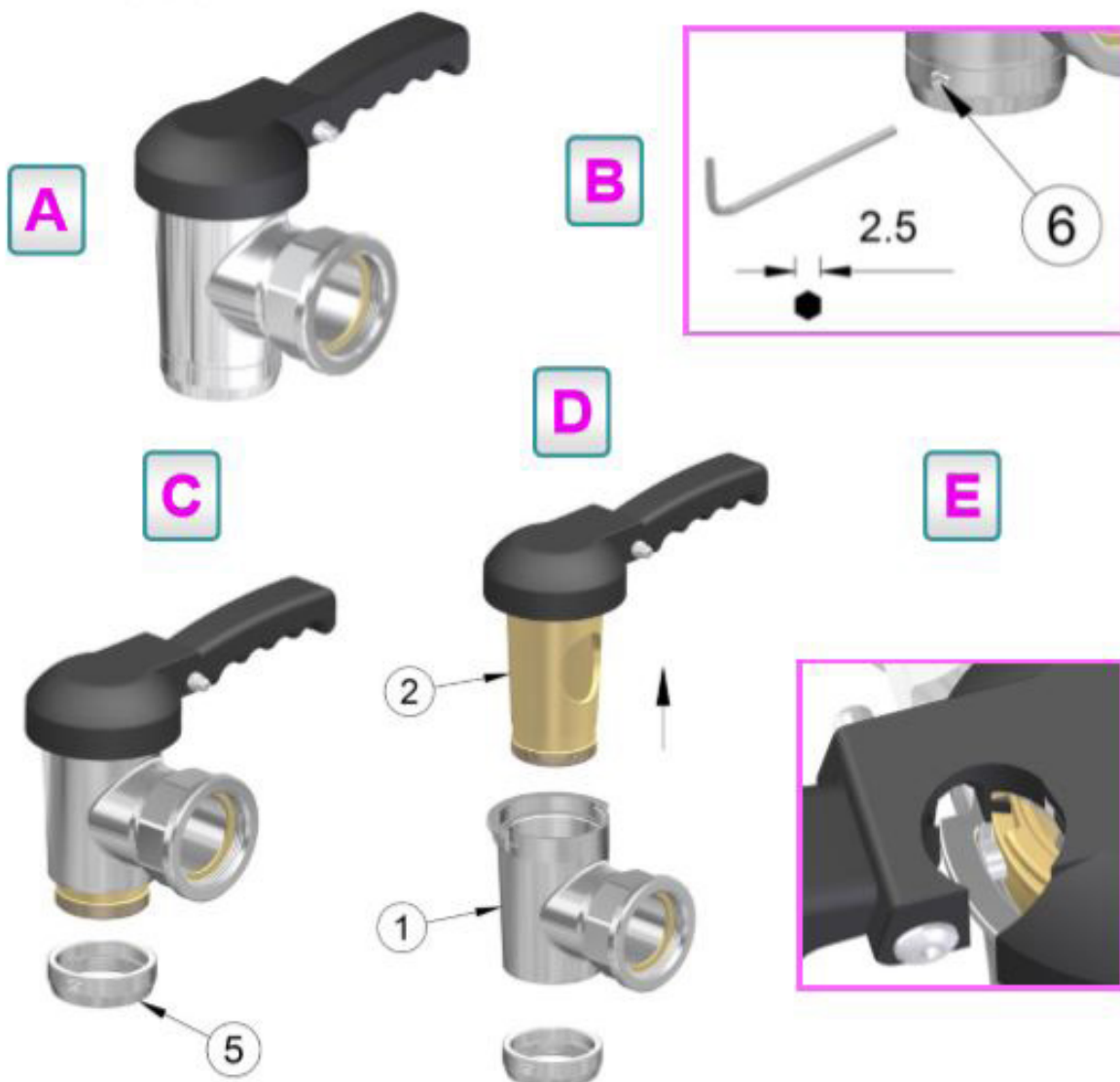
Loosen the pin (6) it is not necessary to unscrew completely form B.

Unscrew the metal ring (5) form C.

Extract the male (2) from the body (1) form D.

Replace the male (2) in the body (1) put in the screw for rotation stop in the slit on the body (1) form E.

Screw the metal ring (5) checking that the tightening doesn't stop the rotation of the male (2).  
Block the pin (6)



## PROHLÁŠENÍ O SOULADU S NORMAMI

Výrobce prohlašuje, že přístroje jsou v souladu s nařízením 2016/426/EU, zákonem č.22/1997 Sb. a č. 258/2000 Sb. o ochraně veřejného zdraví, vyhláškou č. 38/2001 Sb. a příslušnými nařízeními vlády. Instalace musí být uskutečněna s ohledem na platné normy.

Výrobce prohlašuje, že přístroje splňují základní požadavky směrnice 2014/35/EU (nařízení vlády č. 118/2016 Sb.) a požadavky směrnice 2014/30/EU (nařízení vlády č. 117/2016 Sb.).

Pozor, výrobce se vzdává jakékoli odpovědnosti v případě přímých i nepřímých poškození, které se vztahují ke špatné instalaci, nesprávným zásahem nebo úpravami, nedostatečnou údržbou, nesprávným používáním, a které jsou eventuálně způsobeny jinými příčinami, jež uvádí body uvedené v podmínkách prodeje. Tento spotřebič je určen pouze pro odborné používání a musí být obsluhován kvalifikovanými osobami. Části, které byly po nastavení zajištěny výrobcem nebo pověřeným pracovníkem, nesmí uživatel přestavovat.

## TECHNICKÁ DATA

Štítek s technickými údaji je umístěn na zadní části přístroje. Před instalací si prostudujte elektrické schéma zapojení a všechny následující informace.

Typ výrobku	Duplikátor	Objem kotle (l)	Výkon (kW)	Přívodní napětí (V/Hz)	Rozměr (cm)
BI(A)-100-98 G	ano	100	22,5	230/50	80x90x90 v
BI(A)-150-98 G	ano	150	22,5	230/50	80x90x90 v

Typ výrobku	Průměr připojení plynu	Průměr připojení vody	Přetlak duplikátoru (bar)	Systém ohřevu
BI(A)-100-98 G	G1/2	G1/2	0,5	nepřímý
BI(A)-150-98 G	G1/2	G1/2	0,5	nepřímý

Části, které byly nastaveny výrobcem, nebo servisním technikem při instalaci, nesmí být obsluhou přenastavovány.

# TECHNICKÁ DATA HOŘÁKŮ

	G30/31 PROPAN/BUTAN 30mbar	G31 PROPAN 37mbar	G30/31 PROPAN/BUTAN 50 mbar	G20 ZEMNÍ PLYN 20mbar
Tryska hořáku pr. 1/100mm	135	135	135	250
Přetlak na trysce - plný výkon (mbar)	23	23	23	9
Přetlak na trysce - sporo (mbar)	10	10	10	3
Spotřeba plynu	1,7 kg/h	1,7 kg/h	1,7 kg/h	2,4 m <sup>3</sup> /h

**Části, které byly nastaveny výrobcem, nebo servisním technikem při instalaci, nesmí být obsluhou přenastavovány.**

## Tabulka plynů, pro které je výrobek určen

Provedení	Kategorie výrobků	Připojovací přetlaky [mbar]	Použitý plyn	Země určení
A1	I2E	20	G20	DE, NL, PL, RO
	I2ELL	20, 20	G20, G25	DE
	I2E+	20/25	G20/G25	BE, FR
	I2H	25	G20	HU
	I2H	20	G20	AT, BG, CH, CZ, DK, HR, EE, ES, FI, GB, GR, IE, IT, LT, LV, NO, PT, RO, SE, SI, SK, TR, LU, CY, FR
	I2L	25	G25	FR
	I2L	20	G25	RO
	I2Lw	20	G27	PL
	I3B/P	30	G30	BG, CY, CZ, DK, GB, HR, EE, FI, FR, GR, HU, IT, LT, LV, MT, NL, NO, RO, SE, SI, SK, TR
	I3B/P	37	G30	PL
	I3B/P	50	G30	AT, DE, CZ, CH, FR, SK
	I3P	37	G31	BE, CH, CZ, ES, GB, GR, IE, RO, SI, SK, FR, NL, PT, HR, IT, LT, PL, TR
	I3+	28-30/37	G30	BE, CH, CY, CZ, EE, ES, FR, GB, GR, IE, IT, LT, PT, SI, SK, TR
	II2E3B/P	20, 50	G20, G30	DE, PL, RO
	II2ELL-3B/P	20, 20, 50	G20, G25, G30	DE
	II2E+3+	20/25, 28-30/37	G20/G25, G30	BE, FR
	II2E+3P	20/25, 37	G20/G25, G31	BE, FR
	II2H3B/P	20, 30	G20, G30	BG, CZ, GB, DK, HR, EE, FI, GR, IT, LT, LV, NO, RO, SE, SI, SK, TR, CY, FR
	II2H3B/P	20, 50	G20, G30	AT, CH, CZ, FR, SK
	II2H3P	20, 37	G20, G31	CH, CZ, ES, GB, GR, IE, RO, SI, SK
	II2H3+	20, 28-30/37	G20, G30	CH, CY, CZ, EE, ES, GB, GR, IE, IT, LT, PT, SK, SI, TR
	II2L3B/P	25, 30	G25, G30	NL
	II2L3B/P	25, 50	G25, G30	NL
	II2L3B/P	20, 30	G25, G30	RO
	II2H-S3B/P	25, 25, 30	G20, G25.1, G30	HU

# ZÁKLADNÍ INFORMACE K PLYNOVÝM KOTLŮM

Plynové kotle jsou konstruovány s ohledem na maximální výkony, odolnost a trvanlivost pro nejtěžší provozy a jednoduchost, spolu se snadnou údržbou. Pro výrobu jsou používány díly vysoké kvality.

- Optimalizovaný plamen a spotřeba plynu
- Připojení studené vody
- Masivní konstrukce
- Ergonomické tvarování ovládacích prvků
- Optimalizované tvarování povrchu pro snadné čištění
- Jednoduchá obsluha
- Plášť z nerezové ocele AISI 430, plášť vany 304 a dno vany kotle AISI 316
- Výpustný kohout chromovaný

## KONTROLA OBALU A ZAŘÍZENÍ

Zařízení opouští naše sklady v řádném obalu, na kterém jsou odpovídající symboly a označení. V obalu se nachází odpovídající návod k obsluze. Jestliže by obal měl vykazovat špatné zacházení, známky poškození, musí se okamžitě reklamovat u přepravce a to sepsáním a podepsáním protokolu o škodě. Na pozdější reklamace nebude brán zřetel.

### **Důležité upozornění**

Tento návod musí být řádně a pozorně přečten, protože obsahuje důležité informace o bezpečnostních prvcích, instalaci a použití.

- Výrobek je určen pouze k používání ve vnitřních prostorách.
- Nikdy spotřebič nepoužívejte, pokud má poškozený napájecí přívod nebo vidlici, pokud nepracuje správně, upadl na zem a poškodil se nebo spadl do vody. V takových případech zanechte spotřebič do odborného servisu k prověření jeho bezpečnosti a správné funkce
- Tato doporučení se vztahují na tento výrobek, nebo produktovou linii.
- Tento návod se musí řádně uschovat pro budoucí použití.
- Zabraňte dětem manipulovat s přístrojem.
- Při prodeji nebo přemístění je nutno se přesvědčit, že obsluha nebo odborný servis se seznámil s ovládáním a instalačními pokyny v příloženém návodu.
- Výrobek smí obsluhovat pouze obsluha, která se seznámila s tímto návodem k použití.
- Nesmí být spuštěn bez dozoru.
- Doporučuje se kontrola odborným servisem minimálně 2x ročně.
- Při eventuální opravě nebo výměně dílů musí být použity originální náhradní díly.
- Výrobek se nesmí čistit proudem vody nebo tlakovou sprchou.
- Při poruše nebo špatném chodu výrobku je nutné odpojit veškeré přívody (voda, elektřina, plyn) a zavolat autorizovaný servis.
- Výrobce se vzdává jakékoli zodpovědnosti při poruchách způsobenými chybnou instalací, nedodržením shora uvedených doporučení, jiným užíváním apod.
- Přístroj se smí používat pouze k účelu, ke kterému je určený, jiné použití je zakázané a může vést ke vzniku nebezpečí či úrazu
- Musí být zajištěno nejpřísnější dodržování pravidel protipožární ochrany
- Za provozu a krátce po něm jsou některé části spotřebiče horké
- Je zakázáno se během provozu dotýkat jiných částí spotřebiče, než ovládacích prvků k tomu určených



## UMÍSTĚNÍ

Ke správné činnosti a umístění spotřebiče je nutné dodržet následující směrnice dle norem TPG G 704 01, ČSN 127040 a ČSN 127010.

Rozbalte přístroj a zkontrolujte, zda se přístroj nepoškodil během přepravy. Umístěte přístroj na vodorovnou plochu (maximální nerovnost do 2°). Drobné nerovnosti lze vyrovnat regulovatelnými nožičkami.

Jestliže zařízení bude umístěno tak, že bude v kontaktu se stěnami nábytku, tyto musí odolávat teplotě až 60°C. Instalaci, seřízení, uvedení do provozu musí provést kvalifikovaná osoba, která má k takovýmto úkonům oprávnění a to dle platných norem.

Přístroj může být instalován samostatně nebo v sérii s přístroji naší výroby. Je nutno dodržovat minimální vzdálenost 10 cm od hořlavých materiálů. V tomto případě je nutné zabezpečit odpovídající úpravy, aby byla zabezpečena tepelná izolace hořlavých částí.

Spotřebič se musí instalovat pouze na nehořlavém povrchu nebo u nehořlavé stěny.

## INSTALACE

### **Důležité:**

Výrobce neposkytuje žádnou záruku na závady, vzniklé v důsledku nesprávného používání, nedodržování instrukcí obsažených v příloženém návodu k použití a špatným zacházením se spotřebiči.

Instalaci, úpravy a opravy spotřebičů pro velkokuchyně, tak jako i jejich demontáž z důvodu možného poškození přívodu plynu, mohou být prováděny pouze na základě smlouvy o údržbě, tato smlouva může být uzavřena s autorizovaným prodejcem, přičemž musí být dodržovány technické předpisy a normy a předpisy týkající se instalace, elektrického přívodu, plynové přípojky a bezpečnosti práce.

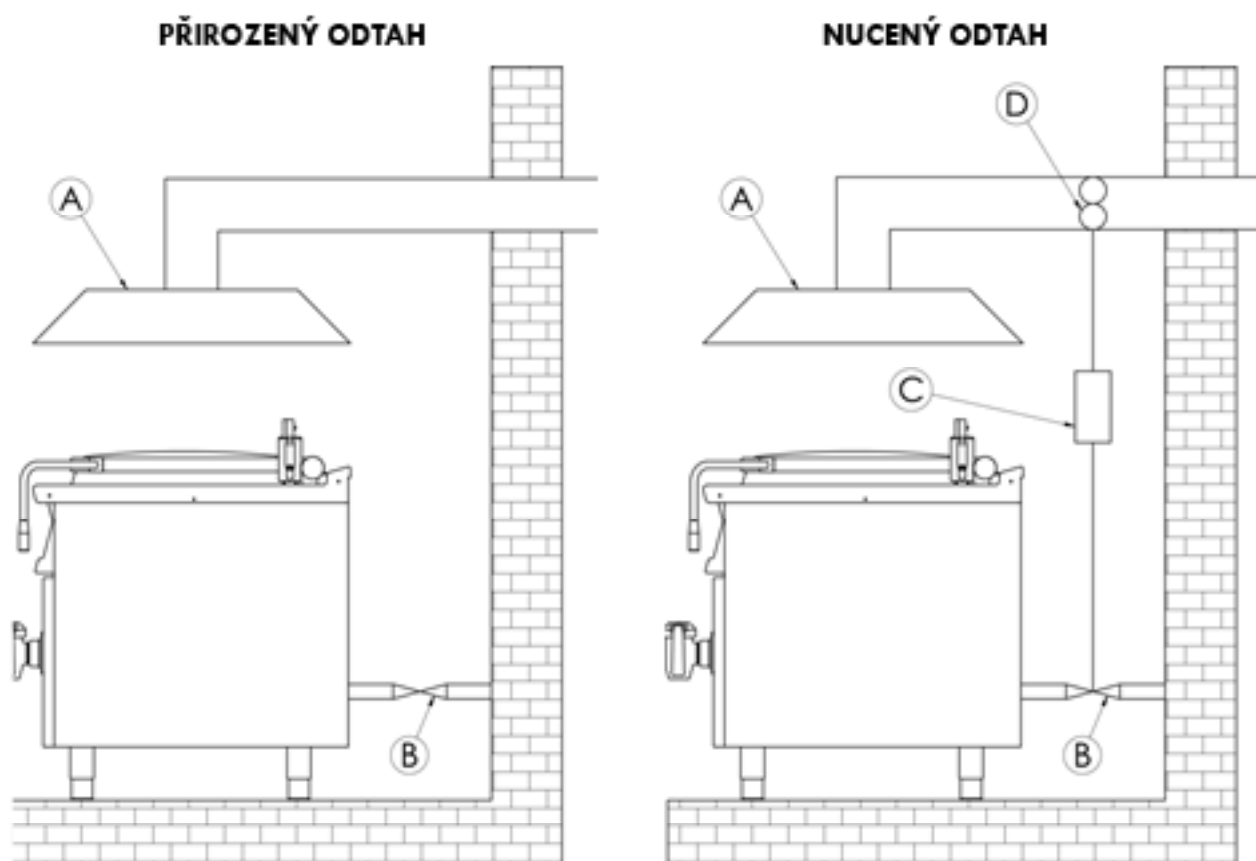
Technické instrukce pro instalaci a seřízení, k použití POUZE pro specializované techniky.

Instrukce, které následují, se obrací k technikovi kvalifikovanému pro instalaci, aby provedl všechny operace způsobem co nejkorektnějším a podle platných norem.

Jakákoli činnost spojená s regulací apod. musí být vykonána pouze se zařízením odpojeným ze sítě. Je - li nutno udržovat spotřebič pod napětím je nutno dbát nejvyšší opatrnosti.

Typ spotřebiče pro provedení odtahu je deklarován na typovém štítku, jedná se o spotřebiče typu A1.

# NÁVOD NA PROVEDENÍ ODTAHU PLYNU



Vyústění digestoře je do samostatného komínového tělesa (A). Odtah spalin zabezpečuje přirozený tah komínu.

Vyústění digestoře je bez přirozeného odtahu. Odtah spalin je zabezpečován pomocí ventilátoru (D), (nucený odtah). V tomto případě je nezbytné zabezpečit propojení s přívodem plynu (B) pro vypnutí přívodu plynu při výpadku.

## KONTROLA TEPELNÉHO VÝKONU

Spotřebiče musí být zkontrolovány, aby se ověřil jejich tepelný příkon:

Tepelný výkon je označen na štítku nebo jej naleznete v tomto návodu.

Je nutné nejdříve ověřit, je-li spotřebič vyroben pro ten samý typ plynu, který bude používán a tudíž odpovídá-li označení na štítku typu plynu, který bude používán.

K přestavbě na jiný druh plynu je nutné zkontrolovat, odpovídá-li typ označeného plynu tomu, který je doporučen v této příručce.

Tlak se měří tlakoměrem o potřebné citlivosti. Tlakoměr se připojí na příslušné místo, je nutné proto odšroubovat šroub se vzduchotěsným uzávěrem a připojit tlakoměr. Po ukončení měření je nutné našroubovat šroub zpět a překontrolovat jeho těsnost.

## BEZPEČNOSTNÍ OPATŘENÍ Z HLEDISKA POŽÁRNÍ OCHRANY PODLE ČSN 061008 ČL. 21

- obsluhu spotřebiče smí provádět pouze dospělé osoby
- spotřebič smí být bezpečně používán v souladu s normami:  
ČSN 33 2000-4-482: Ochrana proti požáru v prostorách se zvláštním rizikem nebo nebezpečím  
ČSN 33 2000-4-42: Ochrana před účinky tepla

- spotřebič je nutné umístit tak, aby stál nebo visel pevně na nehořlavém podkladu

**Na spotřebič a do vzdálenosti menší než bezpečná vzdálenost od něho nesmějí být kladeny předměty z hořlavých hmot (nejmenší vzdálenost spotřebiče od hořlavých hmot je 10 cm).**

Tabulka: stupeň hořlavosti stavební hmoty zařazené do st. hořlavosti (ČSN 730823) hmot a výrobků

Stupeň hořlavosti	Stavební hmoty
A - nehořlavé	žula, pískovec, betony, cihly, keramické obkladačky, omítky
B - nesnadno hořlavé	akumin, heraklit, lihnos, itaver
C1 - těžce hořlavé	dřevo, listnaté, překližky sirkoklit, tvrzený papír, umakart
C2 - středně hořlavé	dřevotřískové desky, solodur, korkové desky, pryž, podlahoviny
C3 - lehce hořlavé	dřevovláknité desky, polystyrén, polyureten, PVC

• informace o stupni hořlavosti běžných stavebních hmot uvádí tabulka výše. Spotřebiče musí být instalovány bezpečným způsobem. Při instalaci musí být dále respektovány příslušné projektové, bezpečnostní a hygienické předpisy dle:

- ČSN 06 1008 požární bezpečnost lokálních spotřebičů a zdrojů tepla
- ČSN 33 2000-4-482 ochrana proti požáru v prostorách se zvláštním rizikem nebo nebezpečím
- ČSN 33 2000-4-42 ochrana před účinky tepla

## PŘIPOJENÍ PLYNOVÉ PŘIPOJOVACÍ HADICE

Připojení spotřebiče do rozvodu plynu je nutné provést přípojnou ocelovou nebo měděnou hadicí vyhovující platným národním požadavkům. Ta musí být pravidelně kontrolována a podle potřeby vyměněna. Každý spotřebič musí být vybaven uzavíracím kohoutem a rychlouzávěrem. Rychlouzávěr musí být volně přístupný a v dosahu zařízení. Po ukončení instalace je třeba překontrolovat, zda nedochází k úniku plynu. Pro zjištění úniku používáme mýdlovou vodu nebo detekční spreje pro zjištění případných úniků.

Nepoužívat látky způsobující korozi! Všechny naše spotřebiče jsou pečlivě kontrolovány. Typ plynu, tlak a označení příslušné kategorie jsou uvedeny na výrobním štítku.

Připojení na kapalný plyn:

Tlak pro připojení na kapalný plyn musí být 28 nebo 30 mbar pro propan/butan a 37 mbar pro propan. Je nutné zkontrolovat štítek, změřit tlak a zkontrolovat parametry nainstalované trysky s požadovanými parametry trysky dle požadavků výrobce. Pokud je tlak nižší než 25 mbar nebo vyšší než 37 mbar **NESMÍ BÝT SPOTŘEBIČ PŘIPOJEN**

Připojení na zemní plyn:

Tlak při připojení na metan musí být 18 nebo 20 mbar. Je nutné zkontrolovat štítek, změřit tlak a zkontrolovat parametry nainstalované trysky s požadovanými parametry trysky dle požadavků výrobce. Pokud je tlak nižší než 15 mbar nebo vyšší než 22,5 mbar **NESMÍ BÝT SPOTŘEBIČ PŘIPOJEN**

## PŘIPOJENÍ ELEKTRICKÉHO KABELU DO SÍTĚ

Instalace elektrického přívodu - tento přívod musí být samostatně jištěn. A to odpovídajícím jističem jmenovitého proudu v závislosti na příkonu instalovaného přístroje. Příkon přístroje zkontrolujte na výrobním štítku na zadním panelu (či boku) přístroje.

Připojený zemnicí vodič musí být delší než ostatní vodiče. Přístroj připojte přímo na síť, je nezbytné vložit mezi spotřebič a síť vypínač s minimální vzdáleností 3 mm mezi jednotlivými kontakty, který odpovídá platným normám a zatížením. Přívod uzemnění (žlutozelený) nesmí tímto spínačem být přerušen. Přístroj určený pro připojení do zásuvky, připojte do sítě pokud má zásuvka odpovídající jištění.

V každém případě přívodní kabel musí být umístěn tak, že v žádném bodě nedosáhne teploty o 50 stupňů vyšší než prostředí. Než bude spotřebič připojen do sítě, je nutné se nejprve ujistit, že:

- přívodní jistič a vnitřní rozvod snesou proudové zatížení spotřebiče (viz štítek matrice)
- rozvod je vybaven účinným uzeměním podle norem (ČSN) a podmínek daných zákonem
- zásuvka nebo vypínač v přívodu jsou dobře přístupné od spotřebiče
- elektrický přívod do zařízení musí být z olejovzdorného materiálu

**Vzdáváme se jakékoli zodpovědnosti v případě, že tyto normy nebudou respektovány a v případě porušení výše uvedených zásad.**

## PŘIPOJENÍ VODY

Připojení vody se provádí pomocí přívodních hadic se závitem G1/2. Připojení se provede po sejmutí předního panelu. Přívod vody musí být osazen samostatnými uzávěry, které jsou volně přístupné a v dosahu zařízení. Součástí zařízení jsou zpětné ventily. Voda pro plnění prostoru duplikátoru musí být změkčená – max. 5° francouzské škály tvrdosti vody.

Tlak přiváděné vody musí být v rozsahu 50 - 300 kPa.

Pro napuštění varného prostoru vodou použijte napouštěcí baterii na horní desce kotle. Otevřete víko, pootočte ramínko nad prostor kotle a pusťte vodu. Po naplnění kotle vodu uzavřete a ramínko otočte do parkovací polohy a uzavřete víko kotle.

**Nikdy nepoužívejte zařízení, pokud je duplikátor bez vody! Hrozí poškození zařízení! Vodu v duplikátoru pravidelně kontrolujte a doplňujte.**

Pokud dojde k vyvaření vody z duplikátoru během provozu, ihned vypněte kotel. Doplnění vody je možné až po vychladnutí kotle. V případě nedodržení této podmínky hrozí poškození duplikátoru!

**Maximální výška hladiny je 40 mm pod horní okraj vany. Pamatujte, že při vložení upravovacích potravin do vody dojde ke vzduťi hladiny!**

## KONTROLA NASTAVENÍ PŘÍSTROJE NA DRUH PLYNU

Naše spotřebiče jsou certifikovány a regulovány pro zemní plyn (viz. Typový štítek). Přestavba nebo přizpůsobení na jiný typ plynu musí být provedena pouze oprávněným technikem. Trysky na různé typy plynu jsou v sáčku, přibaleném ke kotli a jsou označeny v setinách mm (tabulka technických dat hořáků).

Výměna trysek:

Je třeba postupovat následujícím způsobem: Odmontujte přední panel a vymontujte držák trysek. Na něm vyměňte trysky dle tabulky technických dat hořáků. Namontujte držák trysek zpět a na plynovém ventilu seřídte přetlak na trysce na příslušné hodnoty pro daný plyn. Toto se provádí tak, že vymontujete šroub na kontrolním bodu přetlaku na trysce a připojíte na něj manometr. Poté spustíte přístroj na maximální výkon a klíčem 10mm se utahováním matice přetlak zvyšuje a povolováním snižuje. Po jeho nastavení na předepsanou hodnotu přepnete do režimu sporo. Klíčem si přidržíte matici proti pootočení a křížovým šroubovákem seřídíte přetlak na trysce na danou hodnotu. Poté namontujete šroub zpět a zkontrolujete těsnost.

Důležité:

Poté, co bylo provedeno seřízení spotřebiče na jiný typ plynu, je nutné změnu plynu vyznačit na štítku spotřebiče.

Uvedení do provozu a kontrola chodu:

- po připojení přístroje na přívod musí být přístroj, celá instalace a provoz přístroje přezkoušeny
- obzvláště je třeba zkontrolovat:
  - Zkontrolovat, že všechna připojení byla provedena dle předloženého návodu k instalaci
  - Zkontrolovat, že byly dodrženy a splněny všechny platné normy a bezpečnostní předpisy a zákonné předpisy a směrnice
  - Zkontrolovat spotřebiče kvůli úniku plynu
  - Zkontrolovat těsnost přívodu vody
  - Zkontrolovat zapalování hořáků
  - Zkontrolovat stálost hoření plamene
  - V případě změny zařízení na jiný druh plynu, pozměnit identifikační plynový štítek umístěný vždy pod přívodem plynu

# NÁVOD K POUŽITÍ

Před každým uvedením kotle s nepřímým ohřevem do chodu zkontrolujte naplnění duplikátoru vodou. Výška hladiny musí být ve výšce kontrolního kohoutu (obr. 4, pozn. 8). Jestliže z tohoto otevřeného kohoutu nevytéká voda, duplikátor je potřeba doplnit. Vodu doplňte pomocí tlačítka napouštění vody do duplikátoru (obr. 2), které podržte, dokud z otevřeného kohoutu nepoteče vodu. Když z něj voda přestane téct, kohout zavřete.

## Ovládání

Energoregulátor (obr. 2, pozn. B) nastavte na „MAX“ a poté otočte přepínačem (obr. 2, pozn. A) doprava nebo doleva o 90°. Takto se nastaví maximální výkon. Dalším pootočením přepínače o 90° nastavíte režim sporo. Výkon je dále možno snižovat energoregulátorem, kdy nižší nastavená hodnota = nižší výkon. Energoregulátor používejte v případě, kdy je přepínač nastaven na maximální výkon.

## Zapálení hořáků

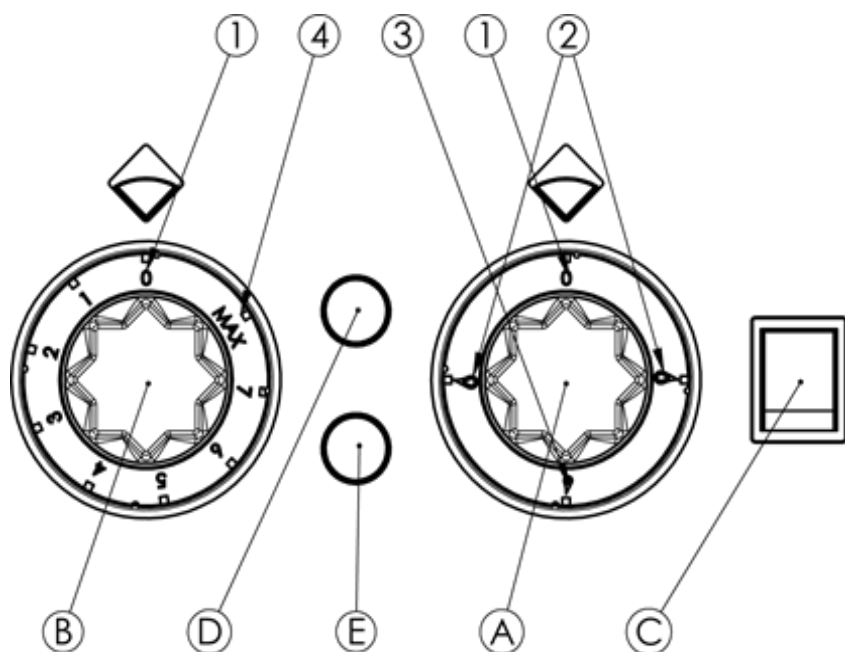
Po otočení přepínače na maximální výkon nebo režim sporo dojde k automatickému zapálení hořáků. To je signalizováno rozsvícením zelené kontrolky (obr. 2, pozn. D). Pokud se je nepodaří napoprvé zapálit, rozsvítí se červeně resetovací tlačítko (obr. 2, pozn. C). Po jeho stisknutí dojde k opětovnému zapálení.

Pokud svítí oranžová kontrolka (obr. 2, pozn. E), signalizuje to, že hořáky běží na plný výkon. V případě, že nesvítí, znamená to, že hoří v režimu sporo. To může být způsobeno přepnutím přepínače do polohy sporo, nastavením energoregulátoru na jinou polohu než „MAX“.

## Vypnutí kotle

Vypnutí kotle se provede otočením přepínače do polohy „0“.

## Ovládací prvky (obr. 2)



tlačítko napouštění  
vody do duplikátoru

A – přepínač  
B – energoregulátor  
C – resetovací tlačítko  
D – zelená kontrolka  
E – oranžová kontrolka

1 – poloha vypnuto  
2 – plný výkon  
3 – režim sporo  
4 – plný výkon

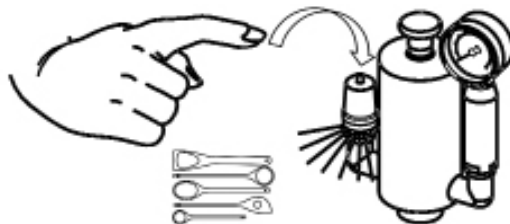
## Odvzdušňování duplikátoru

Po zapnutí kotle je nutné provádět odvzdušňování duplikátoru v intervalu 10min. do doby, než : duplikátor zasytí párou.

Tento úkon provádí obsluha pomocí kuchyňského nástroje např. vařečky, kdy zamáčkne kolíček i odvzdušňovacím ventilu pojistné armatury a drží jej stlačený po dobu 3 sec. Tím unikne stlačený vzduch z duplikátoru a kotel může pracovat na plný výkon. Jakmile z odvzdušňovacího ventilu i stlačení kolíčku uniká pára, není již potřeba dále tento úkon provádět.

### **! POZOR !**

Při zmáčknutí odvzdušňovacího kolíčku (např. prstem), bez použití kuchyňského nástroje, hrozí riziko opaření.



## OVLÁDÁNÍ AUTOKLÁVY:

Autokláv systém je založen na stejné bázi funkce jako Papinův hrnec. Pro jeho bezpečný chod j potřeba se ujistit, že všechny 4 záklopy jsou dotaženy na maximální povolenou hranici.

### **POZOR!!!!**

Před otevřením víka zajištěného autokláv systémem je vždy nutné vypustit tlak v podobě páry přes pojistný ventil umístěný ve středu víka. Nedodržením tohoto postupu může dojít k úrazu a výrobce nepřebírá žádné škody vzniklé na majetku či zdraví.



## ČIŠTĚNÍ A ÚDRŽBA

Doporučuje se nechat přístroj alespoň jednou ročně překontrolovat odborným servisem. Veškeré zásahy do přístroje může provádět pouze kvalifikovaná osoba, která má k takovýmto úkonům oprávnění.

### POZOR!

Zařízení se nesmí čistit přímou nebo tlakovou vodou. Čistěte zařízení denně. Denní údržba prodlužuje životnost a účinnost zařízení. Před započetím čištění se přesvědčte, jestli jste odpojili zařízení od elektrického proudu. Vždy vypněte hlavní přívod k zařízení. Nerezové části omyjte vlhkým hadrem se saponátem bez hrubých částic a vytřete do sucha. Nepoužívejte abrasivní nebo korozivní čisticí prostředky.

Každý den po používání je třeba promazat třecí plochy výpustného kohoutu potravinářskou vazelinou. U kuželového kohoutu vazelína zajišťuje i jeho těsnost.

Nikdy nevypouštějte obsah kotle bez sítka odtoku. Hrozí ucpání a znehodnocení ventilu.

**Pozor!** Než-li začnete přístroj používat, je nutné z celého povrchu sejmout ochranné fólie, a pak jej dobře omýt vodou se saponátem na nádobí, a poté otřít vlhkým hadrem.

Jak postupovat v případě poruchy?

Vypněte elektrický (plynový) přívod a zavolejte servisní organizaci prodejce.

## UPOZORNĚNÍ

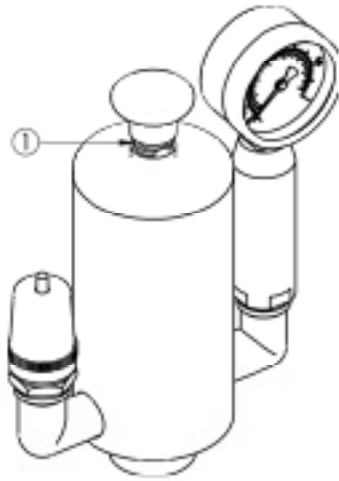
Záruka se nevztahuje na všechny spotřební díly podléhající běžnému opotřebení ( gumová těsnění, žárovky, skleněné a plastové díly atd.). Záruka se též nevztahuje na zařízení pokud není provedena instalace v souladu s návodem – oprávněným pracovníkem dle odpovídajících norem a pokud bylo se zařízením neodborně manipulováno ( zásahy do vnitřního zařízení atd. ) nebo bylo obsluhováno nezaškoleným personálem a v rozporu s návodem k použití, dále se záruka nevztahuje na poškození přírodními vlivy či jiným vnějším zásahem. **Nutná kontrola servisní organizací 2 x ročně.**

**Přepravní obaly a zařízení po ukončení životnosti odevzdejte do sběru, dle předpisů o nakládání s odpadem a nebezpečným odpadem.**

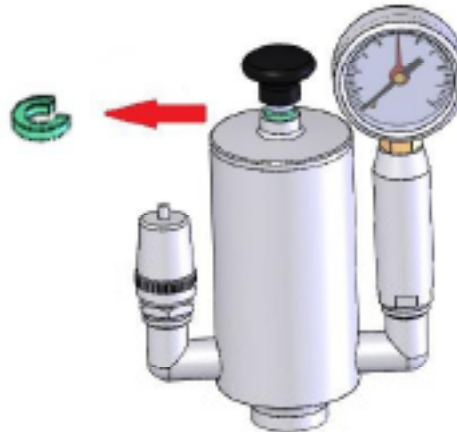
# POJISTNÝ PŘETLAKOVÝ VENTIL

Před spuštěním přístroje je nutno vyjmout kroužek (obr. 1, pozn. 1), který slouží k ochraně pojistného přetlakového ventilu při manipulaci. V případě, že by kroužek zůstal na místě, nebude ventil těsnit a bude docházet k unikání páry.

## Pojistný přetlakový ventil



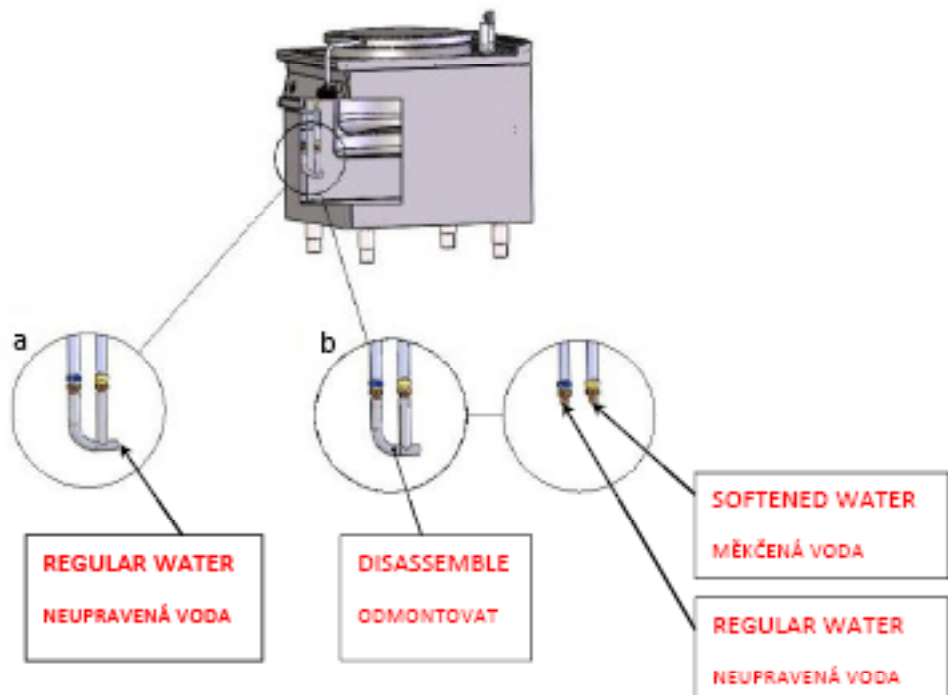
Add 1



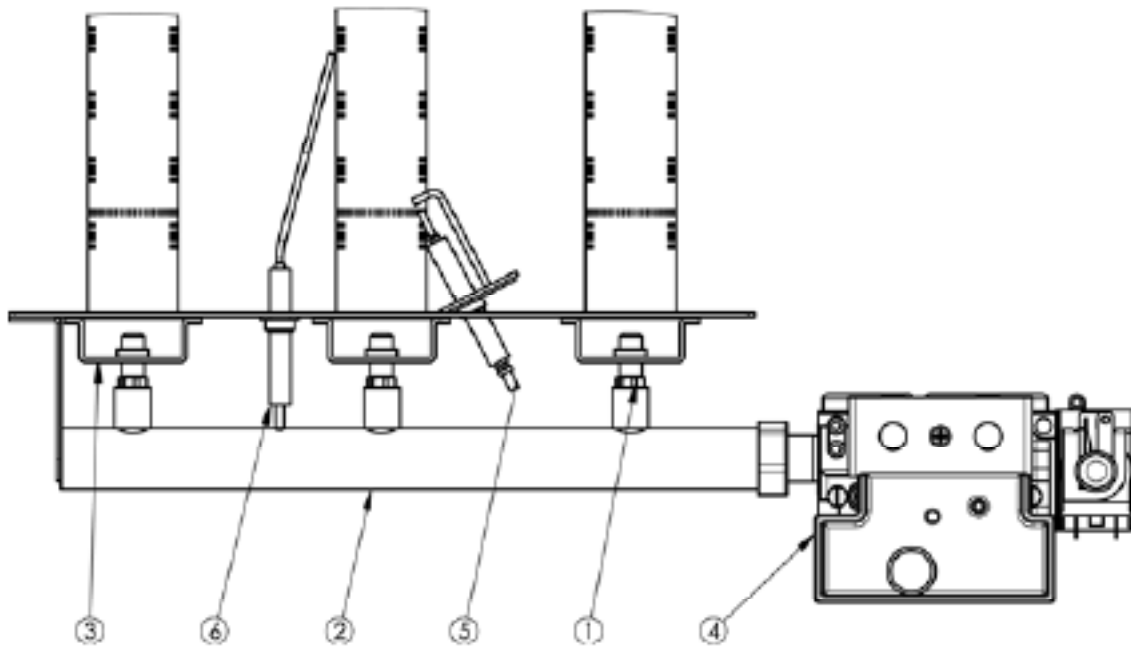
Add 2

a) For regular water only / Pouze pro neupravenou vodu

b) For softened and regular water / Pro měkčenou a neupravenou vodu

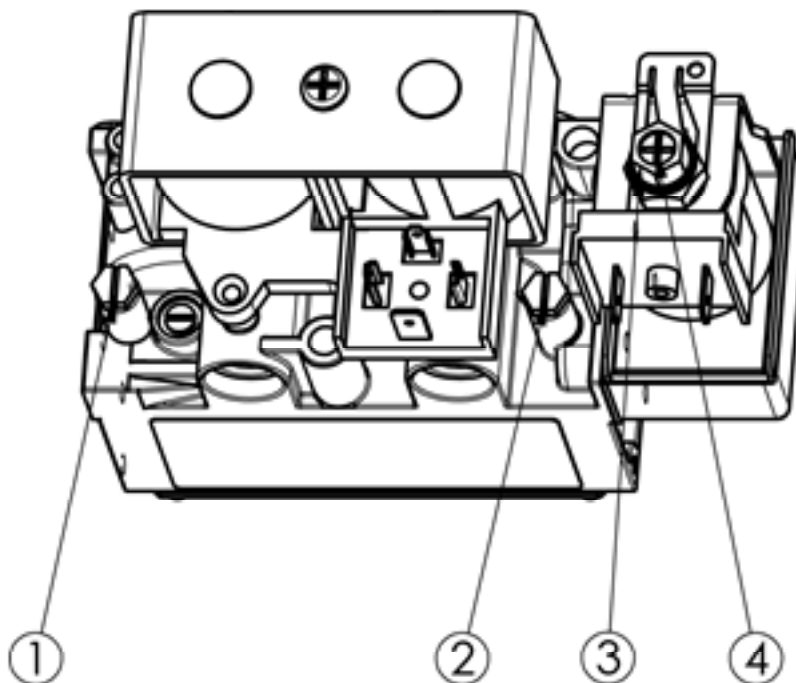


## PLYNOVÝ VENTIL, TRYSKY A HOŘÁKY



- 1 – tryska
- 2 – držák trysek
- 3 – hořák
- 4 – plynový ventil
- 5 – zapalovací svíčka
- 6 – ionizační elektroda

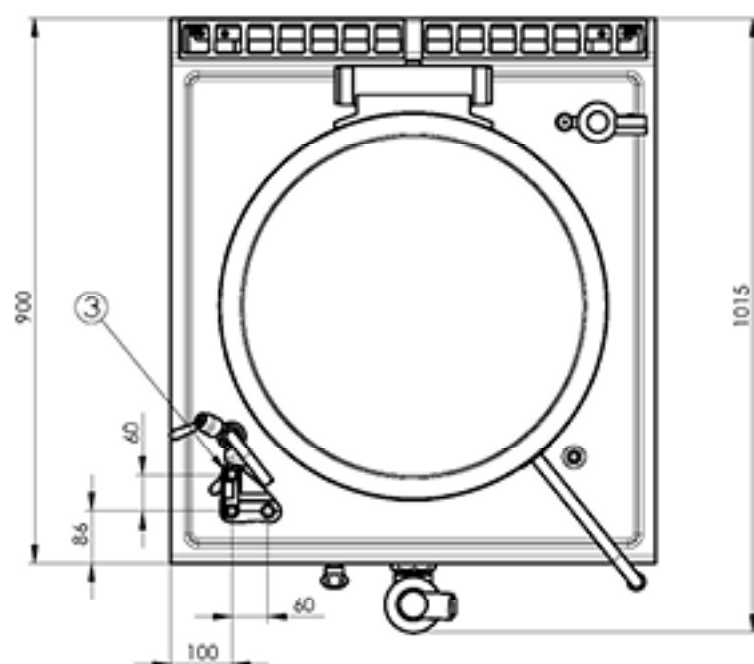
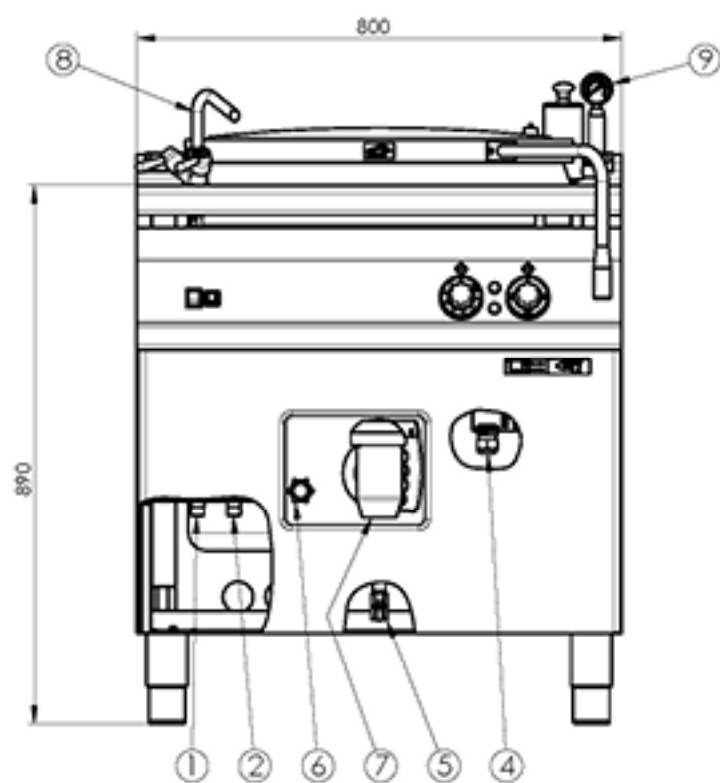
## PLYNOVÝ VENTIL



- 1 – kontrolní bod výstupního tlaku plynu
- 2 – kontrolní bod vstupního tlaku plynu
- 3 – seřizovací matice tlaku plného výkonu
- 4 – seřizovací šroub tlaku spora

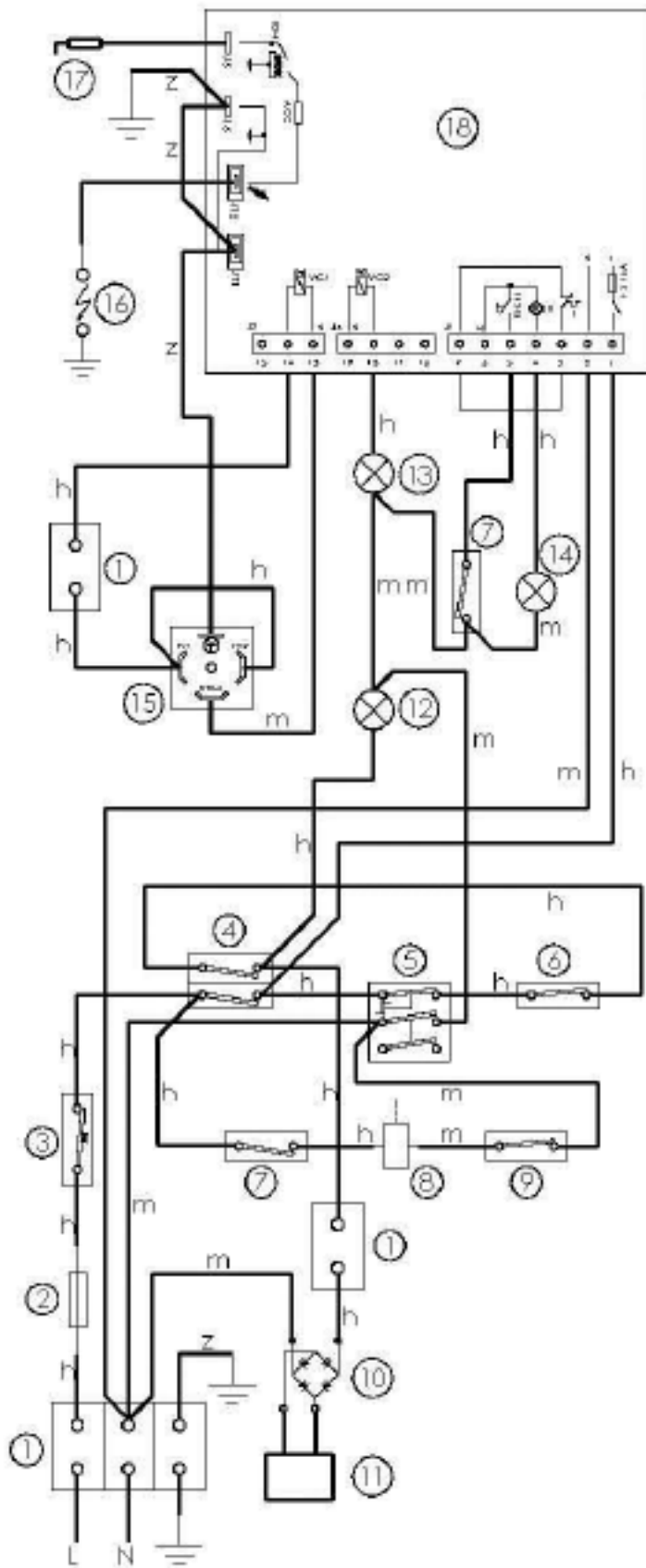
## Seznam dílů pro výměnu

Zkratka 1	Název zboží
407812200	Noha stavitelná nerez + nerez noha
402594104	Regulační knoflík LOTUS - chrom
402594109	Podložka regulačního knoflíku LOTUS - chrom
402594108	Těsnění regulačního knoflíku LOTUS
402594281	Etiketa indikátoru zelená
402594279	Samolep. etiketa BIG Lotus - černá
402594278	Samolep. etiketa reostatu BI Lotus - černá
408013200	Rošt pro odvod kouře BR - LOTUS
404050416	Automatika CM12F Tw1,5 Ts10
404050412	Elektroda ionizační 140 mm Gasex BI-G
404000020	Hořák BR-90 G
402008108	Kabel SIT napájecí k modulátoru ventilu SIGMA
402008109	Kabel SIT napájecí k ventilu SIGMA
402008100	Kabel zapalovací vysokonapěťový R2,2-L800-R3,9
402008130	Kabel zapalovací vysokonapěťový F2,8-L500-R3,9
404510016	Ventil plynový 843 SIGMA
401590410	Elektroventil 1-cestný 180°
402010000	Kabel přívodní 220V ECO-PVC
401515270	Kontrolka kulatá oranžová BR
401515170	Kontrolka kulatá zelená BR
401505000	Přepínač otočný T920-960 RM
402520000	Reostat SE 40/70
401500553	Spínač černý bez potisku IP65
401500552	Spínač červený prosvětlený
402501400	Termostat pracovní 30-90°C BM
402005007	Vnitřní kabeláž H7
402005044	Vnitřní kabeláž H44
402005059	Vnitřní kabeláž H59
402005060	Vnitřní kabeláž H60
402005061	Vnitřní kabeláž H61
402005062	Vnitřní kabeláž H62
402005065	Vnitřní kabeláž H65
402005066	Vnitřní kabeláž H66
402005067	Vnitřní kabeláž H67
402005068	Vnitřní kabeláž H68
402006047	Vnitřní kabeláž M47
402006048	Vnitřní kabeláž M48
402006050	Vnitřní kabeláž M50
402006051	Vnitřní kabeláž M51
402006052	Vnitřní kabeláž M52
402006053	Vnitřní kabeláž M53
402007005	Vnitřní kabeláž Z5
402007006	Vnitřní kabeláž Z6



1 - PRÍVOD STUDENEJ VODY	6 - KONTROLNÝ KOHOÚT HLADINY DUPLIKÁTORU
2 - PRÍVOD TEPLÉ VODY	7 - VYPOUŠŤEČ KOHOÚT KOTLE
3 - PRÍVOD ZMÉKČENEJ VODY	8 - NAPOUŠŤEČ BATERIE
4 - PRÍVOD NAPĚTÍ 400V	9 - POJISTNÝ VENTIL + MANOMETR
5 - VYPOUŠŤEČ KOHOÚT DUPLIKÁTORU	

# SCHÉMA ZAPOJENÍ



1. SVORKOVNICE
2. POJISTKA
3. POJISTNÝ TERMOSTAT
4. OTOČNÝ PŘEPÍNAČ
5. ENERGOREGULÁTOR
6. TLAKOVÝ SPÍNAČ
7. VYPÍNAČ
8. SOLENOID VENTIL
9. TERMOSTAT
10. USMĚRŇOVAČ
11. PLYNOVÝ VENTIL
12. ZELENÁ LED
13. ORANŽOVÁ LED
14. ČERVENÁ LED
15. KONTROLNÍ PLYNOVÁ JEDNOTKA
16. ZÁSTRČKA
17. IONIZAČNÍ ELEKTRODA
18. ŘÍDÍCÍ ELEKTRONIKA

h - hnědý  
 m - modrý  
 z - zeleno žlutý

## List of service organizations:

**CZ: RM GASTRO CZ s. r. o.**, Náchodská 818/16, Praha 9

Tel. +420 281 926 604, [info@rmgastro.cz](mailto:info@rmgastro.cz), [www.rmgastro.cz](http://www.rmgastro.cz)

**SK: RM Gastro Slovakia**, Rybárska 1, Nové Město nad Váhom

Tel.: +421 32 7717061, [obchod@rmgastro.sk](mailto:obchod@rmgastro.sk), [www.rmgastro.sk](http://www.rmgastro.sk)

**PL: RM GASTRO Polska Sp. z o. o.**, ul. Skoczowska 94, 43-450 Ustroń

Tel.: +33 854 73 26, [www.rmgastro.pl](http://www.rmgastro.pl)